

# ECEN721: Optical Interconnects Circuits and Systems Spring 2024

---

## Lecture 4: Receiver Analysis



Sam Palermo

Analog & Mixed-Signal Center

Texas A&M University

# Announcements

---

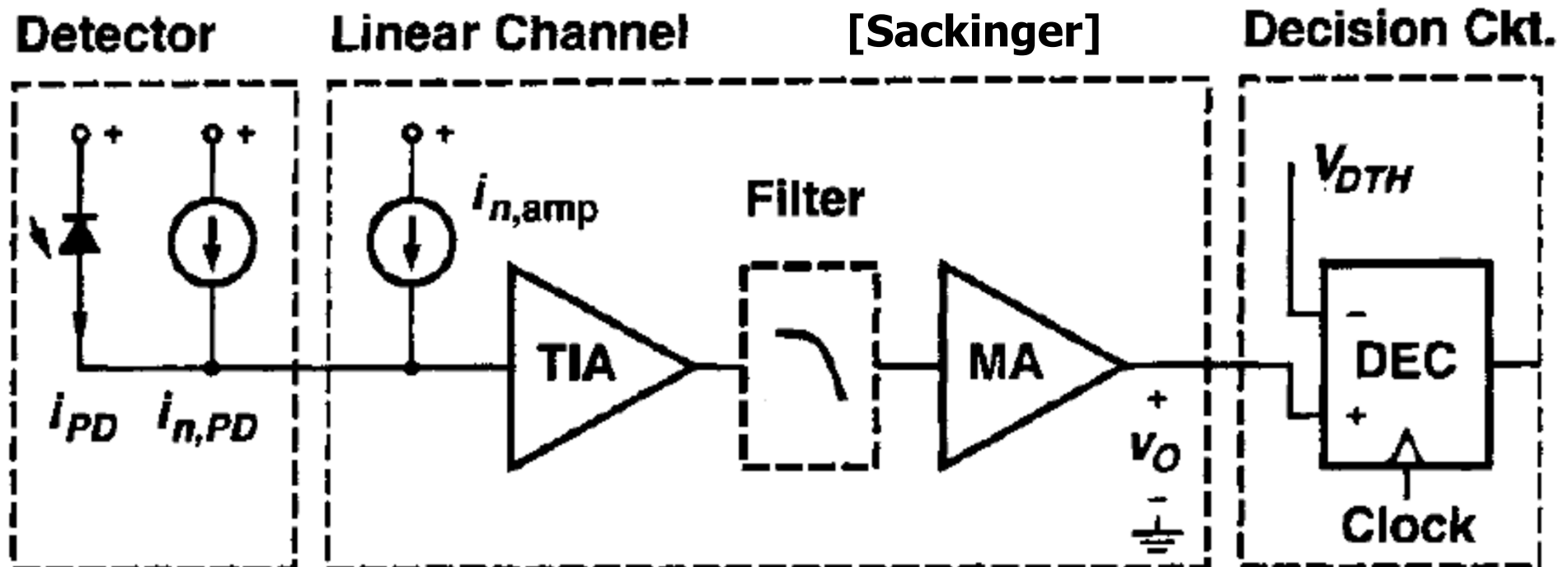
- Majority of material follows Sackinger Chapter 4

# Agenda

---

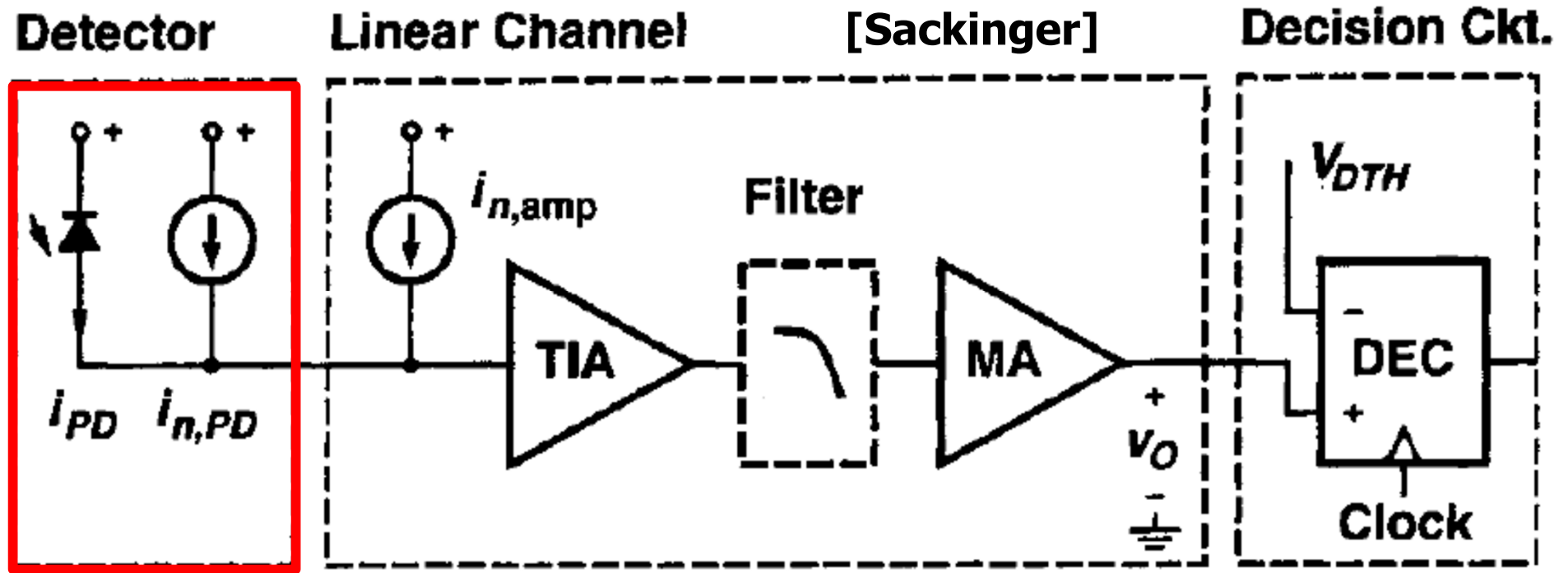
- Receiver Model
- Bit-Error Rate
- Sensitivity
- Personick Integrals
- Power Penalties
- Bandwidth
- Equalization
- Jitter
- Forward Error Correction

# Receiver Model



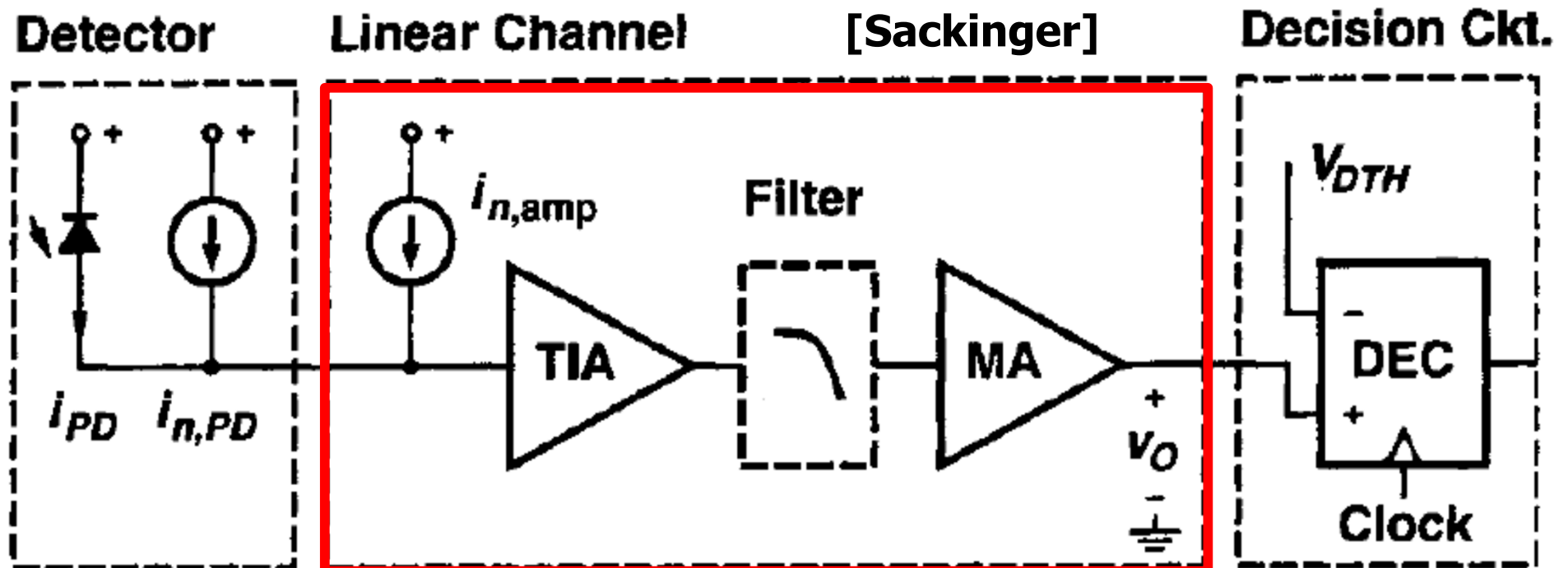
- Photodetector model
- Linear channel representing the transimpedance amplifier (TIA) and main amplifier (MA) gain and an optional low-pass filter
- Detector with a decision threshold,  $V_{DTH}$

# Receiver Detector Model



- Signal current source  $i_{PD}$  which is linearly related to the optical power
- Noise current source  $i_{n,AMP}$  whose spectrum is approximated as uniform and signal dependent

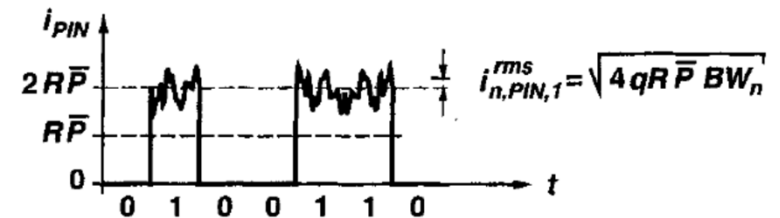
# Receiver Linear Channel (Front-End)



- Modeled with a linear transfer function  $H(f)$  relating the output voltage  $v_O$  amplitude & phase with input current  $i_{PD}$ 
  - From a sensitivity perspective, the signals are small & linearity generally holds
- Single input-referred noise current source with a spectrum that produces the correct output-referred noise spectrum after passing through  $H(f)$
- Generally, the TIA's input-referred noise dominates

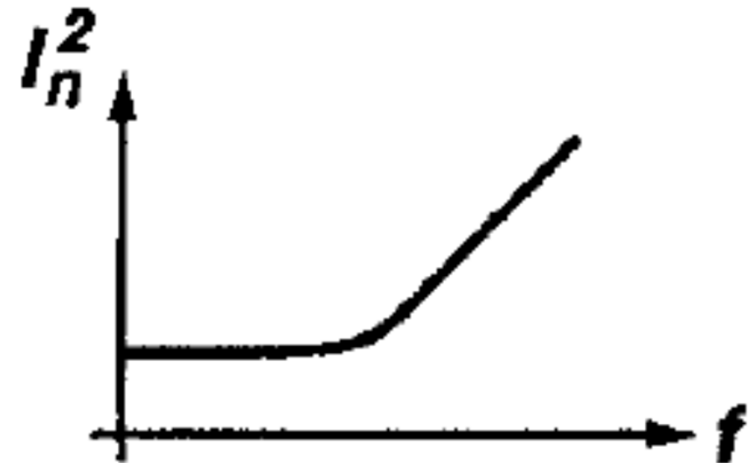
# Detector and Amplifier Noise

- Detector noise
  - Nonstationary – rms value changes with the bit value
  - Uniform (white) frequency spectrum
  - Noise power spectral density must formally be written as a time-varying function



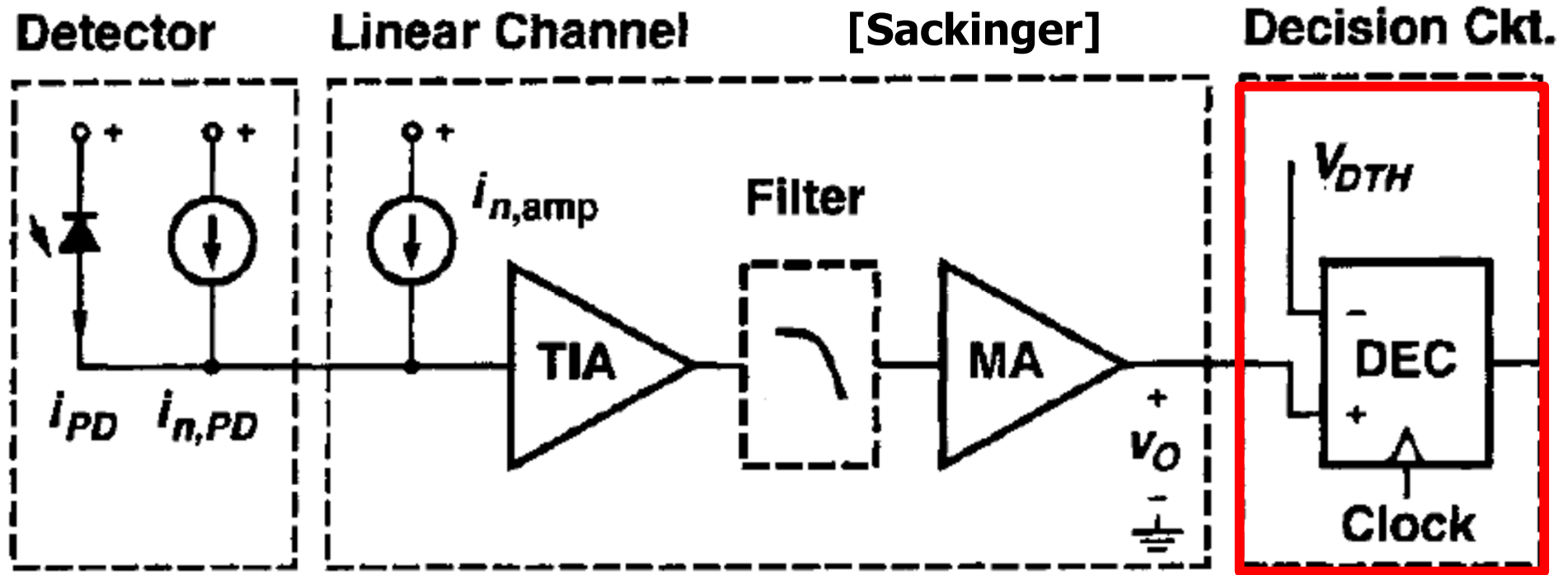
$$I_{n,PD}^2(f,t) \sim \text{bit\_value}(t)$$

- Amplifier noise
  - Stationary – rms independent of time
  - Non-white frequency spectrum which is well modeled as having a white component and a component that increases  $\propto$  to  $f^2$



$$I_{n,amp}^2(f) = \alpha_0 + \alpha_2 f^2 + \dots$$

# Receiver Decision Circuit



- Compares the linear channel output  $v_O$  with a decision threshold  $V_{DTH}$
- For binary (OOK) modulation
  - Above  $V_{DTH} \rightarrow$  "One" bit
  - Below  $V_{DTH} \rightarrow$  "Zero" bit



# Agenda

---

- Receiver Model
- Bit-Error Rate
- Sensitivity
- Personick Integrals
- Power Penalties
- Bandwidth
- Equalization
- Jitter
- Forward Error Correction

# Bit Errors

---

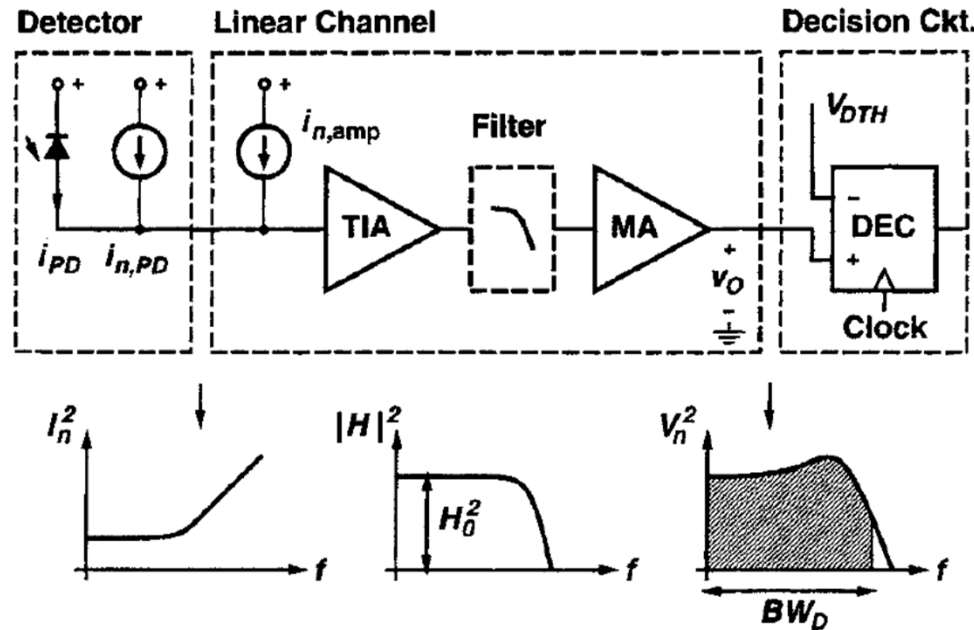
The receiver front - end output before the decision element can be modeled as the superposition of the desired signal and the noise

$$v_O(t) = v_S(t) + v_n(t)$$

Occasionally, the instantaneous noise voltage  $v_n(t)$  can sufficiently corrupt the output and exceed the decision threshold  $V_{DTH}$  to cause a bit error.

Ideally, this happens at a low - probability or bit - error rate (BER)

# Output Noise – Amplifier Component



[Sackinger]

Output Noise Power Spectrum:  $V_{n,amp}^2(f) = |H(f)|^2 \cdot I_{n,amp}^2(f)$

Integrating this noise spectrum over the decision circuit bandwidth  $BW_D$  gives the total noise power experienced by the decision circuit

$$\overline{v_{n,amp}^2} = \int_0^{BW_D} |H(f)|^2 \cdot I_{n,amp}^2(f) df$$

- Note that since  $H(f)$  generally rolls-off quickly, the exact upper bound is not too critical and could be set to a very high value (infinity)

# Output Noise – Detector Component

Formally, because the detector noise is nonstationary, we should write it as

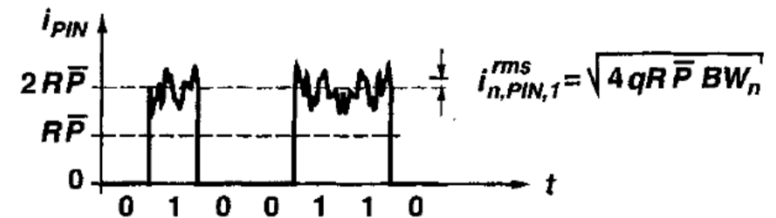
$$V_{n,PD}^2(f, t) = H(f) \cdot \int_{-\infty}^{\infty} I_{n,PD}^2(f, t - t') \cdot h(t') \cdot e^{j2\pi f t'} dt'$$

where  $h(t)$  is the front - end impulse response.

- This effective convolution implies that the noise can impact not only it's bits, but can also spread to impact other bits
- However, we generally assume that the noise varies slowly relative to  $h(t)$  and we can simplify the detector noise analysis

$$V_{n,PD}^2(f, t) = |H(f)|^2 \cdot I_{n,PD}^2(f, t)$$

$$\overline{v_{n,PD}^2}(t) = \int_0^{BW_D} |H(f)|^2 \cdot I_{n,PD}^2(f, t) df$$



- For simple OOK modulation, we use 2 values of the time-dependent output noise power

# Total Output Noise

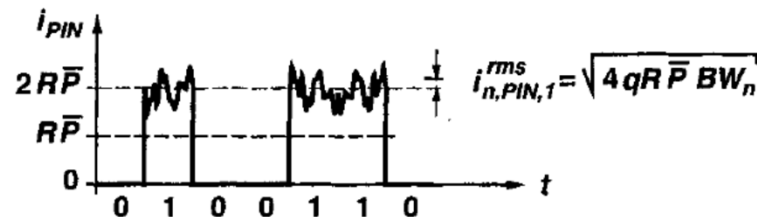
- The total output rms noise value is the root-sum-of-squares of the uncorrelated detector and amplifier noise components

$$v_n^{rms}(t) = \sqrt{v_{n,PD}^2(t) + v_{n,amp}^2(t)}$$

$$= \sqrt{\int_0^{BW_D} |H(f)|^2 \cdot [I_{n,PD}^2(f,t) + I_{n,amp}^2(f)] df}$$

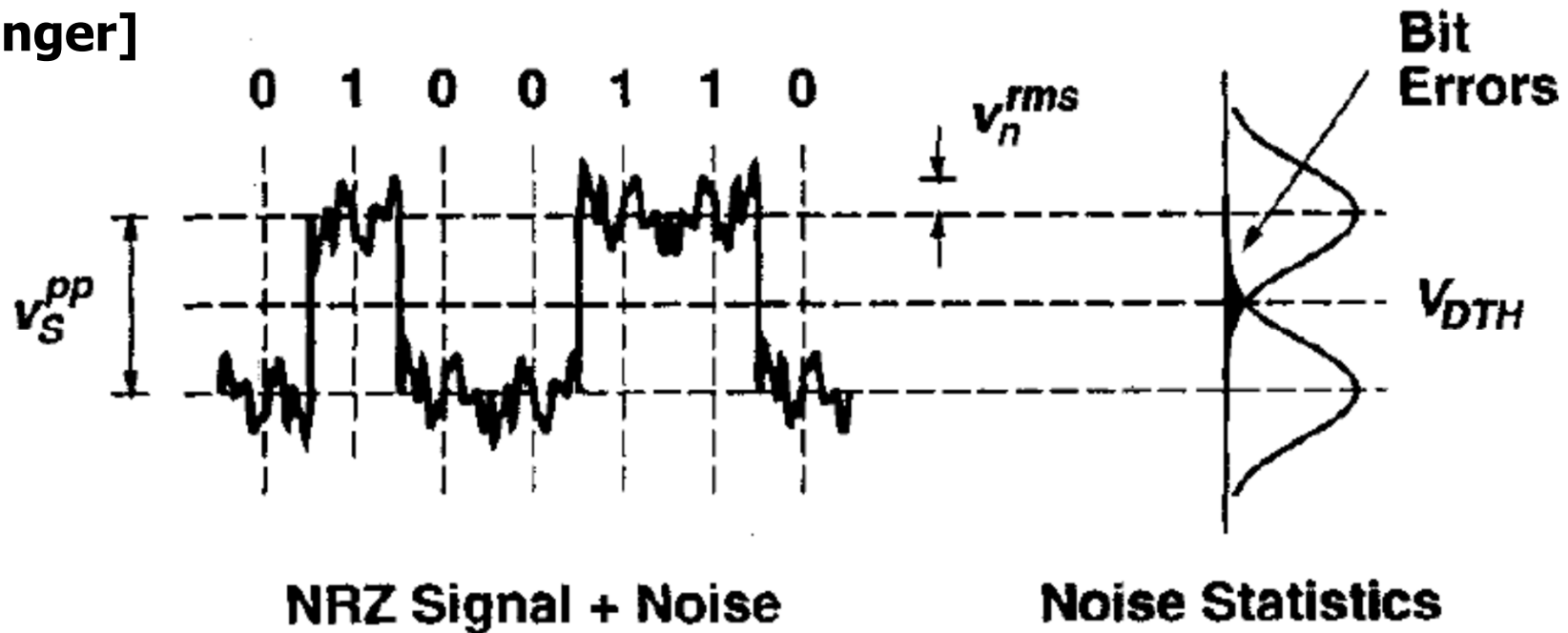
- For simple OOK modulation, we will have two rms values

$$v_{n,0}^{rms} \quad \text{and} \quad v_{n,1}^{rms}$$



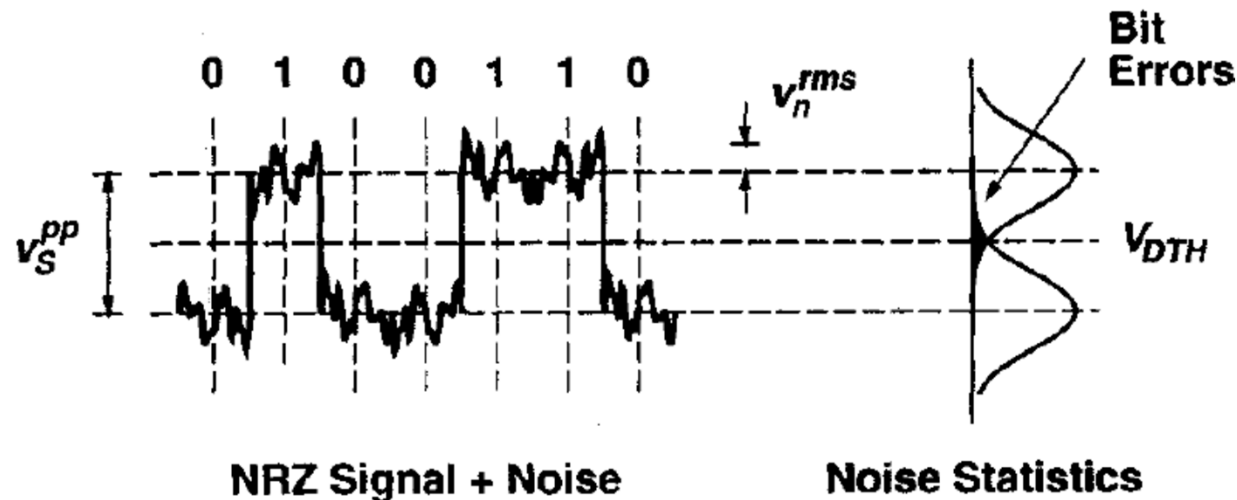
# Signal, Noise, and Bit-Error Rate (BER)

[Sackinger]



- The noise is Gaussian with a standard deviation equal to the noise voltage rms value
- With an equal distribution of 1s and 0s, setting  $V_{DTH}$  at the crossover of the two distributions yields the fewest bit errors
- The bit-error rate (BER) is defined as the probability that a 0 is misinterpreted as a 1 or vice-versa

# BER Calculation



- For BER, we should calculate the area under the Gaussian “tails”
- Assuming equal 0 and 1 noise statistics for now, the 2 tails should be equal and we just need to calculate 1 of them

$$BER = \int_Q^\infty Gauss(x) dx \quad \text{with} \quad Q = \frac{V_{DTH}}{V_n^{rms}} = \frac{V_S^{pp}}{2V_n^{rms}}$$

- Here Gauss(x) is a normalized Gaussian distribution ( $\mu=0, \sigma=1$ )
- The lower bound  $Q$  is the difference between the levels and the decision threshold, normalized by the Gaussian distribution standard deviation,  $\sigma$

# Personick $Q$ and BER

- The  $Q$  parameter is called the Personick  $Q$  and is a measure of the ratio between the signal and noise

$$\int_Q^\infty \text{Gauss}(x) dx = \frac{1}{\sqrt{2\pi}} \int_Q^\infty e^{-\frac{x^2}{2}} dx = \frac{1}{2} \text{erfc}\left(\frac{Q}{\sqrt{2}}\right)$$

**Table 4.1** Numerical relationship between  $Q$  and bit-error rate.

$Q$	$BER$	$Q$	$BER$
0.0	1/2	5.998	$10^{-9}$
3.090	$10^{-3}$	6.361	$10^{-10}$
3.719	$10^{-4}$	6.706	$10^{-11}$
4.265	$10^{-5}$	7.035	$10^{-12}$
4.753	$10^{-6}$	7.349	$10^{-13}$
5.199	$10^{-7}$	7.651	$10^{-14}$
5.612	$10^{-8}$	7.942	$10^{-15}$

If we want  $BER = 10^{-12}$ , then we need  $Q = 7.035$  or

$$v_S^{pp} = 14.07 v_n^{rms}, \text{ assuming equal 1 and 0 noise statistics}$$



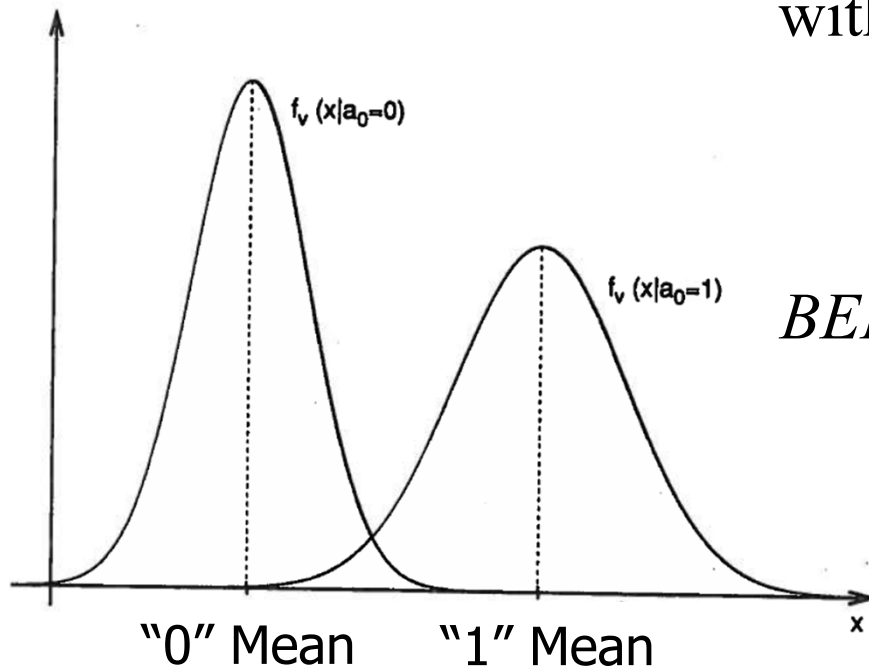
# What if I Have Unequal Noise Distributions?

Neglecting any noise memory effect, the rms noise simply alternates

between  $v_{n,0}^{rms}$  and  $v_{n,1}^{rms}$

We have a relatively thinner, lower - noise distribution for the 0s, with  $\sigma_{n,0} = v_{n,0}^{rms}$ , and a thicker, higher - noise distribution for the 1s,

with  $\sigma_{n,1} = v_{n,1}^{rms}$ .



$$BER = \int_Q^{\infty} Gauss(x) dx \quad \text{with} \quad Q = \frac{v_s^{pp}}{v_{n,0}^{rms} + v_{n,1}^{rms}}$$

# Signal-to-Noise Ratio

---

- In optical receiver analysis, the signal-to-noise ratio (SNR) is often defined as the mean-free average signal power divided by the average noise power

Mean - Free Average Signal Power :  $\overline{v_s^2(t)} - \overline{v_s(t)}^2$

For a DC - balanced NRZ signal, this is  $\left(\frac{v_s^{pp}}{2}\right)^2$

Noise Power :  $\frac{(\overline{v_{n,0}^2} + \overline{v_{n,1}^2})}{2}$

$$SNR = \frac{(v_s^{pp})^2}{2(\overline{v_{n,0}^2} + \overline{v_{n,1}^2})}$$

# Signal-to-Noise Ratio Extremes

---

1. Noise is dominated by the amplifier, with equal noise on 0s and 1s

$$SNR = \frac{(v_s^{pp})^2}{2(v_{n,0}^2 + v_{n,1}^2)} = \frac{(v_s^{pp})^2}{2(2(v_n^{rms})^2)} = Q^2, \quad \text{with } v_{n,1}^{rms} = v_{n,0}^{rms}$$

For a BER =  $10^{-12}$  ( $Q = 7.0$ )  $\Rightarrow$   $SNR = (7.0)^2 = 49.0 = 16.9dB$

2. Noise is dominated by the detector/optical amplifier, with un-equal noise on 0s and 1s

$$SNR = \frac{(v_s^{pp})^2}{2(v_{n,0}^2 + v_{n,1}^2)} \approx \frac{(v_s^{pp})^2}{2(v_{n,1}^2)} = \frac{Q^2}{2}, \quad \text{with } v_{n,1}^{rms} \gg v_{n,0}^{rms}$$

For a BER =  $10^{-12}$  ( $Q = 7.0$ )  $\Rightarrow$   $SNR = \frac{(7.0)^2}{2} = 24.5 = 13.9dB$

# Agenda

---

- Receiver Model
- Bit-Error Rate
- **Sensitivity**
- Personick Integrals
- Power Penalties
- Bandwidth
- Equalization
- Jitter
- Forward Error Correction

# Electrical Receiver Sensitivity

---

- Sensitivity is the minimum input-referred signal necessary to achieve the desired bit-error rate

Electrical Receiver Sensitivity,  $i_{sens}^{pp}$ , is the minimum peak - to - peak signal current at the receiver input to achieve the desired BER.

An input current swing produces an output voltage swing

$$v_S^{pp} = H_0 i_S^{pp} = 2Q v_n^{rms}$$

where  $H_0$  is the midband value of  $H(f)$ .

$$i_{sens}^{pp} = \frac{2Q v_n^{rms}}{H_0} \quad \text{for the } Q \text{ necessary for the BER}$$

$$\text{Input - Referred RMS Noise : } i_n^{rms} = \frac{v_n^{rms}}{H_0}$$

$$i_{sens}^{pp} = 2Q i_n^{rms}$$

# Electrical Receiver Sensitivity

---

If  $i_n^{rms} = 380\text{nA}$ , what is the electrical receiver sensitivity for a BER =  $10^{-12}$ ?

$$i_{sens}^{pp} = 2Q i_n^{rms} = 2(7.035)(380\text{nA}) = 5.35\mu\text{A}$$

- What if I have unequal noise distributions on 0s and 1s?

$$v_S^{pp} = Q(v_{n,0}^{rms} + v_{n,1}^{rms}) \Rightarrow i_{sens}^{pp} = Q(i_{n,0}^{rms} + i_{n,1}^{rms})$$

$$\text{where } i_{n,0}^{rms} = \frac{v_{n,0}^{rms}}{H_0} \text{ and } i_{n,1}^{rms} = \frac{v_{n,1}^{rms}}{H_0}$$

- Note that so far we have assumed an ideal slicer for the decision circuit. A real slicer's minimum signal input and offset will degrade this sensitivity. More about this later.

# Optical Receiver Sensitivity

---

Optical Receiver Sensitivity,  $\overline{P}_{sens}$ , is the minimum optical power, averaged over time, required to achieve the desired BER.

Assuming a DC - balanced signal with a high extinction ratio (more about this later), the average signal current is

$$\overline{i_S} = \frac{i_S^{pp}}{2} \Rightarrow \overline{P_S} = \frac{i_S^{pp}}{2R}$$

$$\overline{P}_{sens} = \frac{i_{sens}^{pp}}{2R} = \frac{2Qi_n^{rms}}{2R} = \frac{Qi_n^{rms}}{R}$$

or if we have different noise distributions

$$\overline{P}_{sens} = \frac{Q(i_{n,0}^{rms} + i_{n,1}^{rms})}{2R}$$

# Optical Receiver Sensitivity

---

If  $i_n^{rms} = 380\text{nA}$  and  $R = 0.8\text{A/W}$ , what is the optical receiver sensitivity for a BER =  $10^{-12}$ ?

$$\overline{P}_{sens} = \frac{Q i_n^{rms}}{R} = \frac{(7.035)(380\text{nA})}{0.8\text{A/W}} = 3.34\mu\text{W} = -24.8\text{dBm}$$

- Note that the **optical receiver sensitivity** is based on the **average signal value**, whereas the **electrical sensitivity** is based on the **peak-to-peak signal value**



# Optical RX Sensitivity w/ Ideal Photodetector

---

- In order to compare the relative performance of different electrical receivers, it is useful to normalize out the photodetector performance
- The sensitivity excluding the PD's quantum efficiency  $\eta$  is

$$\overline{\eta P_{sens}} = \frac{hc}{\lambda q} \cdot Q \cdot i_n^{rms}$$

or if we have different noise distributions

$$\overline{\eta P_{sens}} = \frac{hc}{\lambda q} \cdot \frac{Q(i_{n,0}^{rms} + i_{n,1}^{rms})}{2}$$

# Optical RX Sensitivity w/ Ideal Photodetector

---

- Previous example using PD with  $R=0.8A/W$

If  $i_n^{rms} = 380nA$  and  $R = 0.8A/W$ , what is the optical receiver sensitivity for a BER =  $10^{-12}$ ?

$$\overline{P_{sens}} = \frac{Q i_n^{rms}}{R} = \frac{(7.035)(380nA)}{0.8A/W} = 3.34\mu W = -24.8dBm$$

- Now, normalizing (multiplying) by the quantum efficiency or dividing by an ideal responsivity at a given wavelength

If  $i_n^{rms} = 380nA$  and we are operating at a wavelength of 1550nm, what is the optical receiver sensitivity for a BER =  $10^{-12}$  with an ideal photodetector?

$$\eta \overline{P_{sens}} = \frac{hc}{\lambda q} \cdot Q i_n^{rms} = \frac{(7.035)(380nA)}{(8 \times 10^5 (A/W \cdot m))(1550nm)} = \frac{2.67\mu W}{1.24} = 2.16\mu W = -26.7dBm$$

# Low and High Power Limits

---

- The **sensitivity limit** is the weakest signal for which we can achieve the desired BER
- However, if the signal is too large, we can also have bad effects that degrade BER
  - Pulse-width distortion
  - Data-dependent jitter
- The **overload limit** is the maximum signal for which we can achieve the desired BER

# Dynamic Range

---

- Input overload current  $i_{ovl}^{pp}$ 
  - This is the **maximum peak-to-peak signal current** for which a desired BER can be achieved
- Optical overload power  $\bar{P}_{ovl}$ 
  - This is the **maximum time-averaged optical power** for which a desired BER can be achieved
- The dynamic range is the ratio of the overload limit and the sensitivity limit

$$\text{Dynamic Range} = \frac{i_{ovl}^{pp}}{i_{sens}^{pp}} = \frac{\bar{P}_{ovl}}{P_{sens}}$$

# Reference Bit-Error Rates Examples

---

- Sensitivity must be specified at a desired BER!

Assuming  $i_n^{rms} = 380\text{nA}$  and  $R = 0.8\text{A/W}$  for the following

- SONET OC-48 (2.5Gb/s) requires  $\text{BER} \leq 10^{-10}$  ( $Q=6.361$ )

$$\overline{P}_{sens} = \frac{Qi_n^{rms}}{R} = \frac{(6.361)(380\text{nA})}{0.8\text{A/W}} = 3.02\mu\text{W} = -25.2\text{dBm}$$

- SONET OC-192 (10Gb/s) requires  $\text{BER} \leq 10^{-12}$  ( $Q=7.035$ )

$$\overline{P}_{sens} = \frac{Qi_n^{rms}}{R} = \frac{(7.035)(380\text{nA})}{0.8\text{A/W}} = 3.34\mu\text{W} = -24.8\text{dBm}$$

- What about  $\text{BER} \leq 10^{-15}$  ? ( $Q=7.942$ )

$$\overline{P}_{sens} = \frac{Qi_n^{rms}}{R} = \frac{(7.942)(380\text{nA})}{0.8\text{A/W}} = 3.77\mu\text{W} = -24.2\text{dBm}$$

# Sensitivity Analysis w/ Amplifier Noise Only

- Here we are assuming that amplifier noise dominates

$$i_n^{rms} = i_{n,amp}^{rms}$$

- With a p-i-n photodetector

$$\bar{P}_{sens,PIN} = \frac{Q i_{n,amp}^{rms}}{R}$$

- With an APD

$$\bar{P}_{sens,APD} = \frac{1}{M} \cdot \frac{Q i_{n,amp}^{rms}}{R}$$

- With an optically preamplified p-i-n detector

$$\bar{P}_{sens,APD} = \frac{1}{G} \cdot \frac{Q i_{n,amp}^{rms}}{R}$$

Assuming  $R=0.8A/W$ ,  $M=10$ ,  $G=100$ , and  $BER=10^{-12}$

Parameter	Symbol	2.5 Gb/s	10 Gb/s
Input rms noise due to amplifier	$i_{n,amp}^{rms}$	380 nA	1.4 $\mu A$
Input signal swing for $BER = 10^{-12}$	$i_{sens}^{pp}$	5.3 $\mu A$	19.7 $\mu A$
Sensitivity of p-i-n receiver	$\bar{P}_{sens,PIN}$	-24.8 dBm	-19.1 dBm
Sensitivity of APD receiver	$\bar{P}_{sens,APD}$	-34.8 dBm	-29.1 dBm
Sensitivity of OA + p-i-n receiver	$\bar{P}_{sens,OA}$	-44.8 dBm	-39.1 dBm

If we neglect detector noise, the optically preamplified p-i-n detector only requires an average optical power of -39.1dBm or 123nW!

# Now Let's Include the Detector Noise

- Starting with a p-i-n detector RX, because of the signal-dependent detector noise we need to consider 2 different noise values

$$\overline{i_n^2}_{,0} = \overline{i_n^2}_{,PIN,0} + \overline{i_n^2}_{,amp} \quad \text{and} \quad \overline{i_n^2}_{,1} = \overline{i_n^2}_{,PIN,1} + \overline{i_n^2}_{,amp}$$

- Here we assume that the detector noise is very small for a 0 bit and that we have a high extinction ratio, i.e.  $P_1 = 2\overline{P}_{sens}$

$$i_{n,0}^{rms} = i_{n,amp}^{rms} \quad \text{and} \quad i_{n,1}^{rms} = \sqrt{4qR\overline{P}_{sens}BW_n + (i_{n,amp}^{rms})^2}$$

Utilizing  $\overline{P}_{sens} = \frac{Q(i_{n,0}^{rms} + i_{n,1}^{rms})}{2R}$  we can derive that

$$\overline{P}_{sens,PIN} = \frac{Qi_{n,amp}^{rms}}{R} + \frac{Q^2qBW_n}{R}$$

Amplifier Noise

Shot Noise

# Now Let's Include the Detector Noise

- With an APD receiver, we assume the following 2 different noise values

$$i_{n,0}^{rms} = i_{n,amp}^{rms} \quad \text{and} \quad i_{n,1}^{rms} = \sqrt{F \cdot M^2 4qR \bar{P}_{sens} BW_n + (i_{n,amp}^{rms})^2}$$

$$\bar{P}_{sens,APD} = \frac{1}{M} \cdot \frac{Q i_{n,amp}^{rms}}{R} + F \cdot \frac{Q^2 q BW_n}{R}$$

- With an optically preamplified p-i-n detector receiver, we assume the following 2 different noise values

$$i_{n,0}^{rms} = i_{n,amp}^{rms} \quad \text{and} \quad i_{n,1}^{rms} = \sqrt{\eta F \cdot G^2 4qR \bar{P}_{sens} BW_n + (i_{n,amp}^{rms})^2}$$

$$\bar{P}_{sens,OA} = \frac{1}{G} \cdot \frac{Q i_{n,amp}^{rms}}{R} + \eta F \cdot \frac{Q^2 q BW_n}{R}$$

- The amplifier noise is suppressed with increasing detector gain, while the shot noise increases with the excess noise factor



# Sensitivity w/ Amplifier & Detector Noise

Assuming  $R=0.8A/W$ ,  $M=10$ ,  $G=100$ , and  $BER=10^{-12}$

For the APD:  $F=6$  (7.8dB)

For the OA+p-i-n:  $\eta=0.64$ ,  $F=3.16$  (5dB)

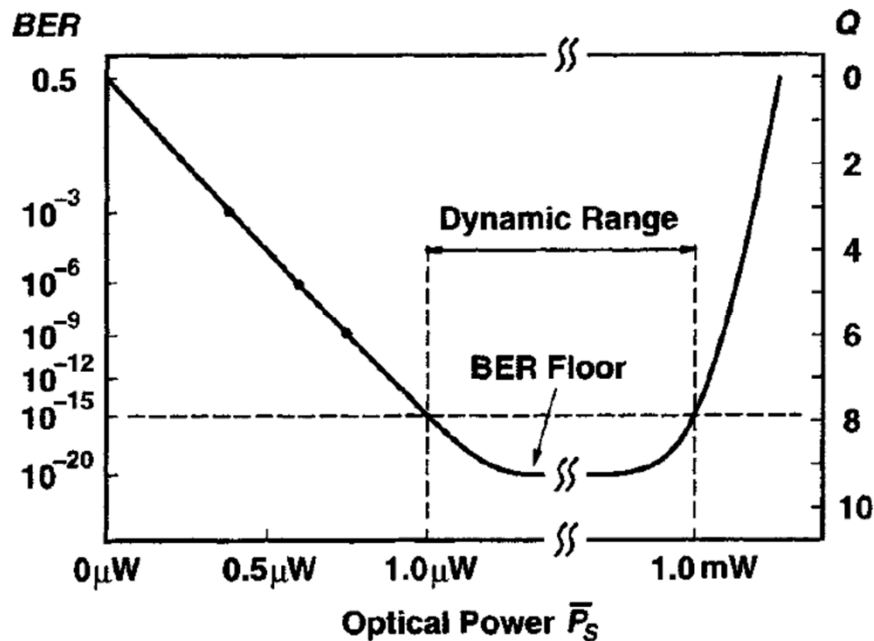
w/amp noise only  
(previous table)

Parameter	Symbol	2.5 Gb/s	10 Gb/s	10Gb/s $\Delta$
Input rms noise due to amplifier	$i_{n,amp}^{rms}$	380 nA	$1.4 \mu A$	
Sensitivity of p-i-n receiver	$\overline{P}_{sens,PIN}$	-24.7 dBm	-19.1 dBm	0dB
Sensitivity of APD receiver	$\overline{P}_{sens,APD}$	-33.5 dBm	-27.8 dBm	1.3dB
Sensitivity of OA + p-i-n receiver	$\overline{P}_{sens,OA}$	-41.5 dBm	-35.6 dBm	3.5dB

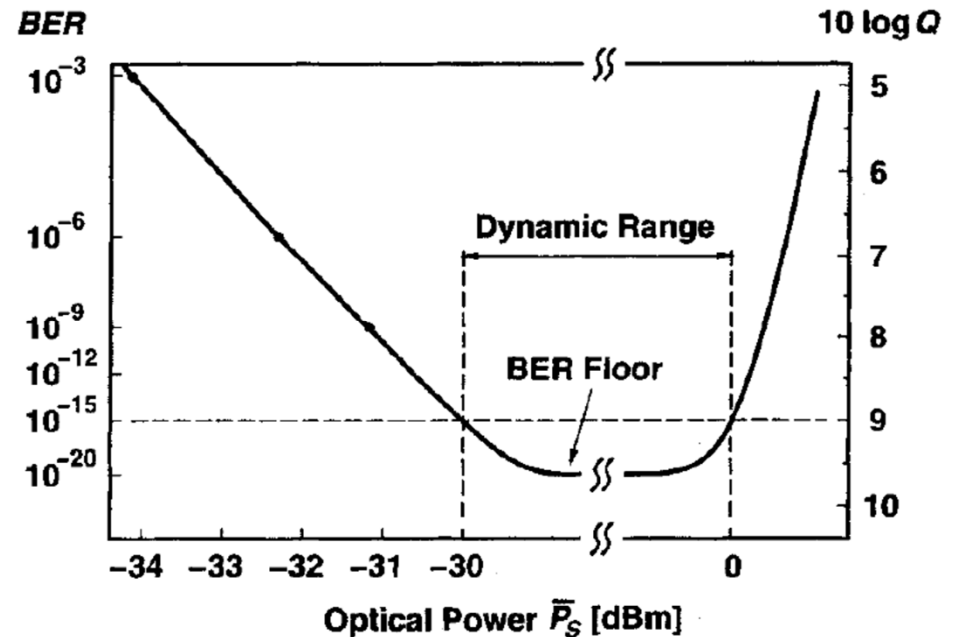
- For the 10Gb/s receivers, relative to amplifier noise only
  - p-i-n RX sensitivity is virtually unchanged  $\Rightarrow$  OK to ignore shot noise
  - APD RX sensitivity is degraded by  $\sim 1$ dB  $\Rightarrow$  ignoring shot noise gives you a reasonable estimate. Depending on the link budget margin, may or may not be able to neglect shot noise.
  - OA + p-i-n RX sensitivity degrades by  $> 3$ dB  $\Rightarrow$  definitely need to include the shot noise

# BER Plots

- To analyze RX performance, we often plot BER or Q versus the average optical power
- At low power levels, this should track  $\bar{P}_{sens,PIN} = \frac{Q i_{n,amp}^{rms}}{R} + \frac{Q^2 q B W_n}{R}$

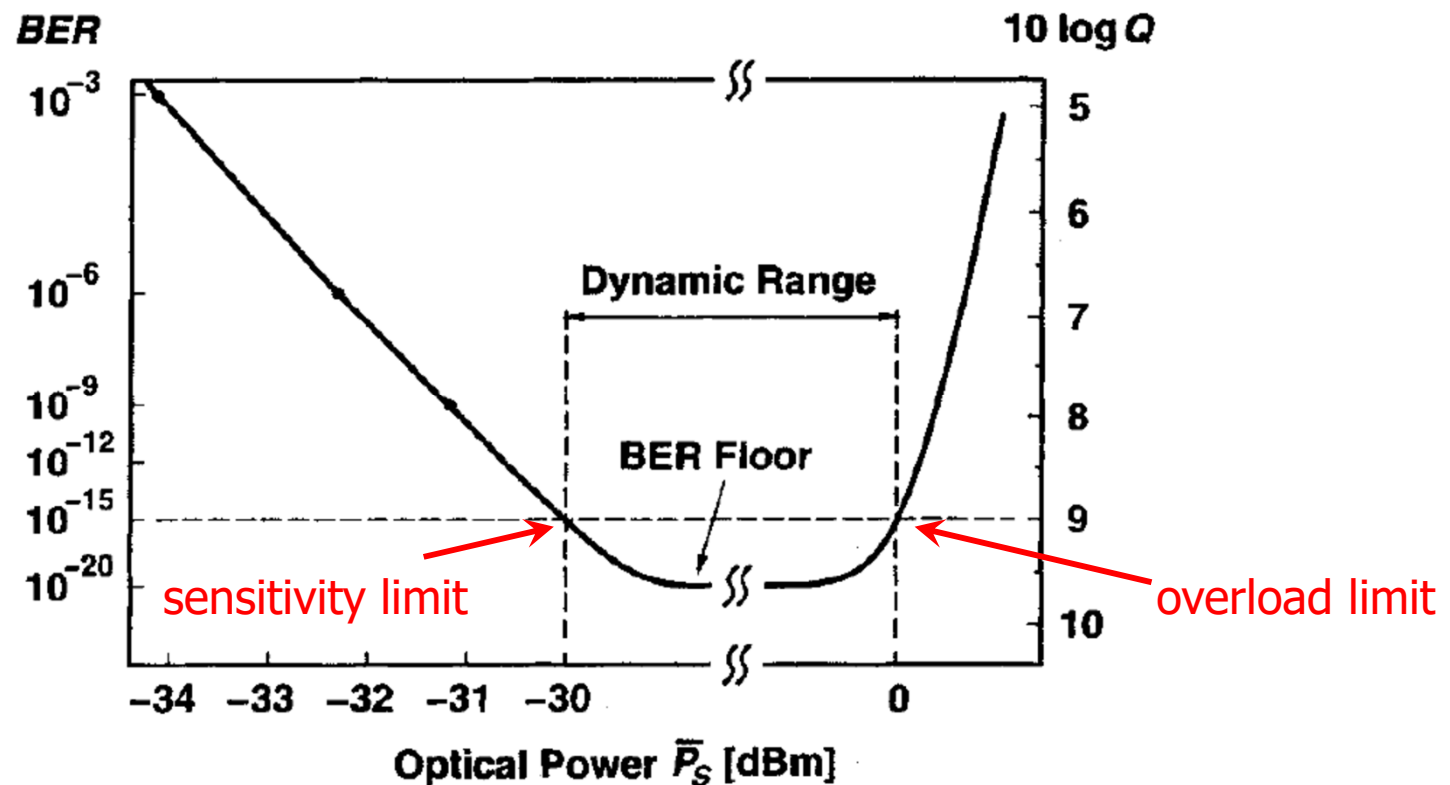


If we plot versus linear power, the Q function increases linearly and the BER improves  $\propto \text{erfc}(Q)$



If we plot versus power in dB, then  $10 \log(Q)$  function increases linearly

# BER Plots



- The sensitivity limit occurs at the minimum power level for the desired BER
- The BER will improve if we increase the power further, until the shot noise term begins to dominate and we reach a BER floor
- As power is increased further, signal distortions occur and we reach the overload limit, beyond which the BER tends to degrade rapidly

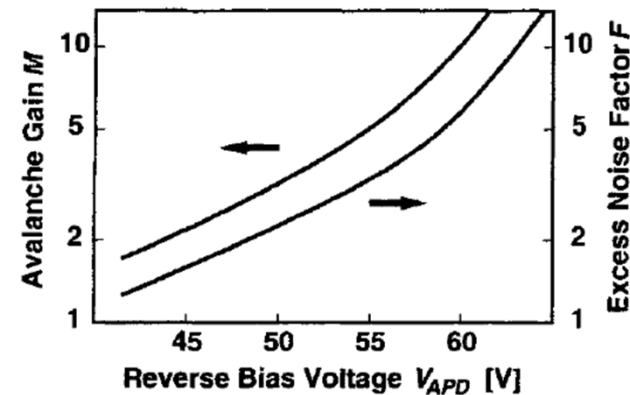
# Optimum APD Gain

- Recall for an APD, that as the avalanche gain  $M$  increases, so does the excess noise factor  $F$  and they are related by the ionization-coefficient ratio  $k_A$
- Considering that the sensitivity is inversely proportional to  $M$  and proportional to  $F$ , there exists an optimum APD gain

$$\bar{P}_{sens,APD} = \frac{1}{M} \cdot \frac{Q i_{n,amp}^{rms}}{R} + F \cdot \frac{Q^2 q B W_n}{R}$$

$$M_{opt} = \sqrt{\frac{i_{m,amp}^{rms}}{Q k_A q B W_n} - \frac{1 - k_A}{k_A}}$$

$$F = k_A M + (1 - k_A) \left( 2 - \frac{1}{M} \right)$$



- The optimum APD gain increases with more amplifier noise, as the APD gain suppresses this noise
- Note for an optically preamplified p-i-n RX, the noise figure goes down with increased gain  $G$ , and thus higher  $G$  always improves sensitivity

# What If We Had a Perfect Noiseless Amplifier?

- If we can somehow reduce our amplifier noise to be very low, we will ultimately be limited by the detector noise

$$\bar{P}_{sens,PIN} = \frac{Q^2 q B W_n}{R} \quad \bar{P}_{sens,APD} = F \cdot \frac{Q^2 q B W_n}{R} \quad \bar{P}_{sens,OA} = \eta F \cdot \frac{Q^2 q B W_n}{R}$$

Assuming  $R=0.8A/W$ ,  $M=10$ ,  $G=100$ , and  $BER=10^{-12}$

For the APD:  $F=6$  (7.8dB)

For the OA+p-i-n:  $\eta=0.64$ ,  $F=3.16$  (5dB)

**Table 4.4** Maximum receiver sensitivities at  $BER = 10^{-12}$  for various photodetectors. A noiseless amplifier is assumed.

Parameter	Symbol	2.5 Gb/s	10 Gb/s
Sensitivity of p-i-n receiver	$\bar{P}_{sens,PIN}$	-47.3 dBm	-41.3 dBm
Sensitivity of APD receiver	$\bar{P}_{sens,APD}$	-39.5 dBm	-33.5 dBm
Sensitivity of OA + p-i-n receiver	$\bar{P}_{sens,OA}$	-44.2 dBm	-38.2 dBm

- As evident by the equations above, the p-i-n RX performs best
- The APD RX sensitivity is degraded by  $F$  (7.8dB)
- The OA+p-i-n RX sensitivity is degraded by  $\eta F$  (-1.9dB+5dB=3.1dB)

# What If Everything Is Perfect?



- If we have zero amplifier and detector noise, we can receive data with an infinitesimally amount of optical power, right?
- Uh no, as we still need to at least detect one photon to determine that we have a "1" bit, which is the **quantum limit**
- Photon count per "1" bit,  $n$ , follows a Poisson distribution

$$\text{Poisson}(n) = e^{-M} \cdot \frac{M^n}{n!}$$

where  $M$  is the mean of the distribution

- Assuming no power is sent for a "0", these bits will always be correct

# Quantum Limit Sensitivity

- The error probability for a "1" is Poisson(0)

$$BER = \frac{1}{2} \text{Poisson}(0) = \frac{1}{2} e^{-M}$$

Thus, we need an average number of  $M$  photons per "1" bit

$$M = -\ln(2BER)$$

Per bit, we need  $M/2$  photons, which results in an average power of

$$\bar{P}_{sens,quant} = \frac{-\ln(2BER)}{2} \cdot \frac{hc}{\lambda} \cdot B \quad \text{where } B \text{ is the bit rate}$$

**Table 4.5** Quantum limit for the sensitivity at  $BER = 10^{-12}$

Parameter	Symbol	2.5 Gb/s	10 Gb/s
Quantum limit	$\bar{P}_{sens,quant}$	-53.6 dBm	-47.6 dBm

- How do the previous example RX sensitivities with amplifier and detector noise compare relative to the 10Gb/s quantum limit sensitivity?
  - p-i-n RX = +28.5dB
  - APD RX = +19.8dB
  - OA + p-i-n = +12dB

# Agenda

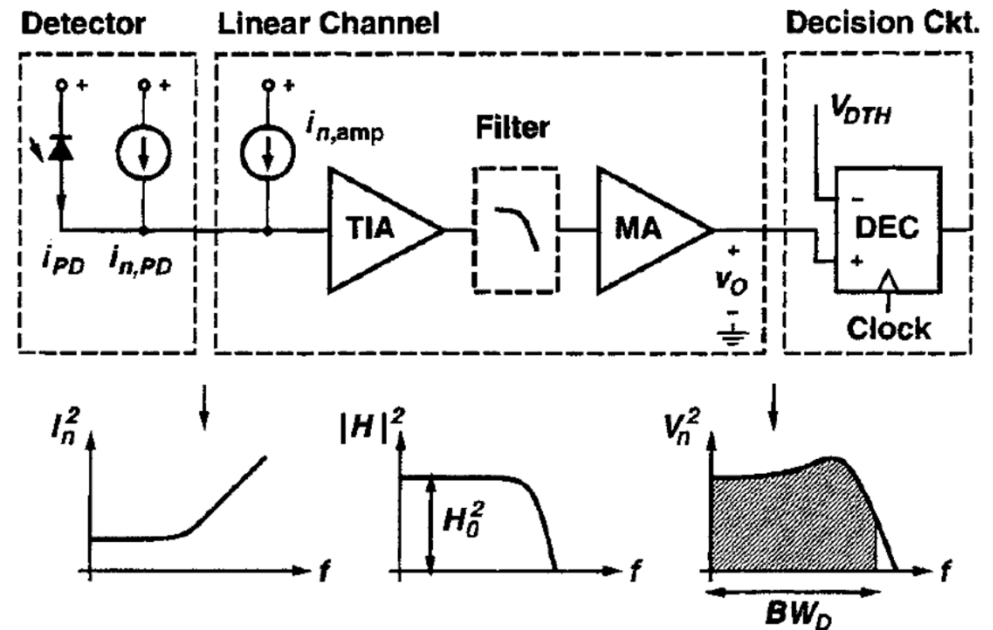
---

- Receiver Model
- Bit-Error Rate
- Sensitivity
- Personick Integrals
- Power Penalties
- Bandwidth
- Equalization
- Jitter
- Forward Error Correction



# Total Input-Referred Noise

- In order to calculate the RX sensitivity, we need the input-referred rms current noise
- The easiest way to obtain this (in simulations) is to integrate the output noise spectrum over the decision element bandwidth and divide by the midband gain  $H_0$



$$\overline{v_n^2} = \int_0^{BW_D} |H(f)|^2 \cdot I_n^2(f) df$$

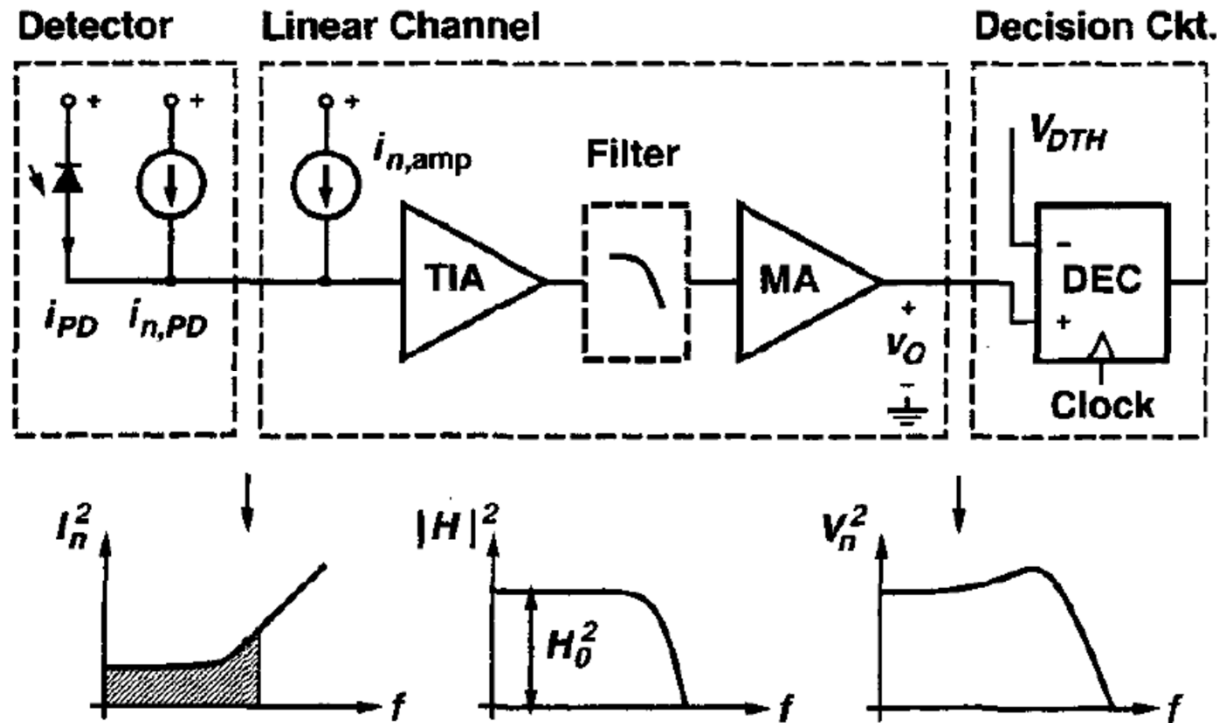
$$\overline{i_n^2} = \frac{\overline{v_n^2}}{H_0^2} = \frac{1}{H_0^2} \int_0^{BW_D} |H(f)|^2 \cdot I_n^2(f) df$$

where  $I_n^2(f) = I_{n,PD}^2(f) + I_{n,amp}^2(f)$  are the input-referred noise power spectrum of the detector and amplifier noise.

$$i_n^{rms} = \sqrt{\overline{i_n^2}} = \sqrt{\frac{\overline{v_n^2}}{H_0^2}} = \frac{v_n^{rms}}{H_0}$$

- Note that since  $H(f)$  generally rolls-off quickly, the exact upper bound is not too critical and could be set to a very high value (infinity)

# How to Get the Input RMS Noise from the Input Noise Power Spectrum?



- If we cannot simulate the output noise spectrum, we can get the input-referred rms noise from the input noise spectrum through integration
- However, we must be very careful regarding the bounds of the integral due to the rapidly rising  $f^2$  component

$$\overline{i_n^2} = \int_0^{\cdot?} I_n^2(f) df$$

# Noise Bandwidths

The input - noise spectrum can be expressed as

$$I_n^2(f) = \alpha_0 + \alpha_2 f^2$$

$$\overline{i_n^2} = \frac{1}{H_0^2} \int_0^{BW_D} |H(f)|^2 (\alpha_0 + \alpha_2 f^2) df$$

$$= \frac{\alpha_0}{H_0^2} \int_0^{BW_D} |H(f)|^2 df + \frac{\alpha_2}{H_0^2} \int_0^{BW_D} |H(f)|^2 f^2 df$$

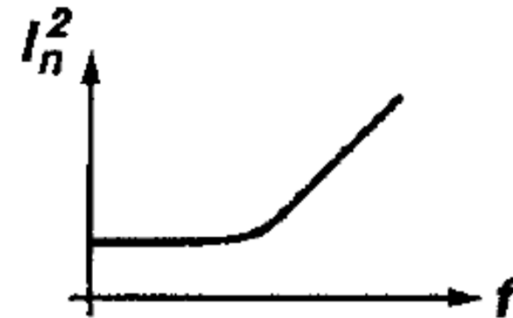
$$= \alpha_0 BW_n + \frac{\alpha_2}{3} BW_{n2}^3$$

where

$$BW_n = \frac{1}{H_0^2} \int_0^{BW_D} |H(f)|^2 df \quad \text{and} \quad BW_{n2}^3 = \frac{1}{H_0^2} \int_0^{BW_D} |H(f)|^2 f^2 df$$

$BW_n$  is identical to the noise bandwidth of the receiver's frequency response.

$BW_{n2}$  is the second - order noise bandwidth for the  $f^2$  noise component.



# Noise Bandwidths

$$\overline{i_n^2} = \alpha_0 BW_n + \frac{\alpha_2}{3} BW_{n2}^3$$

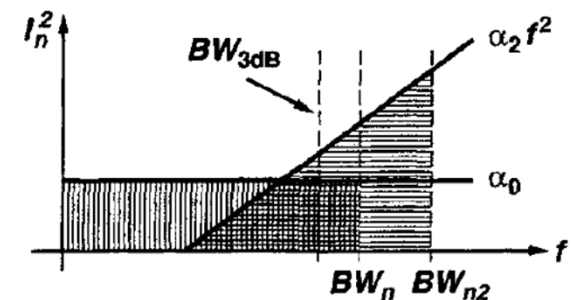
where

$$BW_n = \frac{1}{H_0^2} \int_0^{BW_D} |H(f)|^2 df \quad \text{and} \quad BW_{n2} = \frac{1}{H_0^2} \int_0^{BW_D} |H(f)|^2 f^2 df$$

- The bandwidths  $BW_n$  and  $BW_{n2}$  depend only on the receiver's frequency response and the decision circuit's bandwidth  $BW_D$
- Note that  $BW_D$  is not too critical if it is larger than the receiver bandwidth
- Assuming  $BW_D = \infty$ ,  $BW_n$  and  $BW_{n2}$  are calculated for typical receiver frequency responses

**Table 4.6** Numerical values for  $BW_n$  and  $BW_{n2}$ .

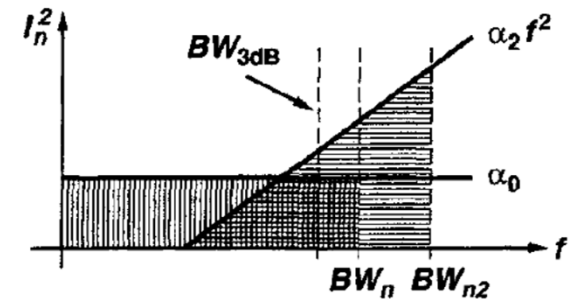
$H(f)$	$BW_n$	$BW_{n2}$
1st-order low pass	$1.57 \cdot BW_{3dB}$	$\infty$
2nd-order low pass, crit. damped ( $Q = 0.500$ )	$1.22 \cdot BW_{3dB}$	$2.07 \cdot BW_{3dB}$
2nd-order low pass, Bessel ( $Q = 0.577$ )	$1.15 \cdot BW_{3dB}$	$1.78 \cdot BW_{3dB}$
2nd-order low pass, Butterworth ( $Q = 0.707$ )	$1.11 \cdot BW_{3dB}$	$1.49 \cdot BW_{3dB}$
Brick wall low pass	$1.00 \cdot BW_{3dB}$	$1.00 \cdot BW_{3dB}$
Rectangular (impulse response) filter	$0.500 \cdot B$	$\infty$
NRZ to full raised-cosine filter	$0.564 \cdot B$	$0.639 \cdot B$



# What if I Just Integrate Up To the 3dB Bandwidth?

- What we should do is use the table data and calculate

$$\overline{i_n^2} = \alpha_0 BW_n + \frac{\alpha_2}{3} BW_{n2}^3$$



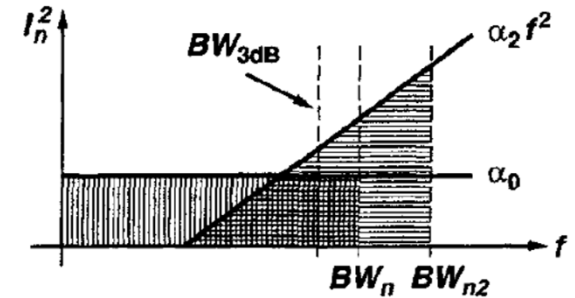
- But, what if we simply integrate up to the 3dB bandwidth, which is equivalent to using

$$\overline{i_n^2} = \alpha_0 BW_{3dB} + \frac{\alpha_2}{3} BW_{3dB}^3$$

- Referring to the table, this is only correct for a Brick Wall Low Pass response and can lead to significant error
- For example, with a 2<sup>nd</sup>-order Butterworth response, this underestimates the white noise component by 1.11x and the  $f^2$  component by 3.33x

# Personick Integrals

- Optical receiver literature often uses constants from Personick Integrals



$$\overline{i_n^2} = \alpha_0 BW_n + \frac{\alpha_2}{3} BW_{n2}^3 = \alpha_0 \cdot I_2 B + \alpha_2 \cdot I_3 B^3$$

where  $B$  is the bit rate

$$I_2 = \frac{BW_n}{B} \quad \text{and} \quad I_3 = \frac{BW_{n2}^3}{3B^3}$$

- The Personick Integrals  $I_2$  and  $I_3$  are normalized noise bandwidths

# Agenda

---

- Receiver Model
- Bit-Error Rate
- Sensitivity
- Personick Integrals
- Power Penalties
- Bandwidth
- Equalization
- Jitter
- Forward Error Correction

# Power Penalty

---

- So far we have primarily been considering random noise sources and assumed that we have had an ideal transmitter, receiver decision circuit, etc...
- The actual receiver sensitivity will be degraded by impairments throughout the optical link and is quantified by power penalties
- The **power penalty**  $PP$  is the increase in average transmit power necessary to maintain the desired BER, relative to an ideal case where we don't have the impairment
- This is quantified in dBs,  $10\log(PP)$



# Typical Impairments

---

- Transmitter
  - Extinction ratio
  - Relative intensity noise (RIN)
  - Output power variations
- Fiber
  - Dispersion
  - Nonlinear effects
- Detector
  - Dark current
- TIA
  - Distortions (ISI)
  - Offset
- MA
  - Distortions (ISI)
  - Offset
  - Noise figure
  - Low-frequency cutoff
- CDR
  - Decision-threshold offset
  - Decision-threshold ambiguity
  - Sampling-time offset
  - Sampling-time jitter

# Decision-Threshold Offset PP

- So far we have assumed that the decision threshold is in the ideal place

Assuming equal noise distributions and DC - balanced data

$$V_{DTH} = \frac{v_S^{pp}}{2}$$

- What if there is an offset?

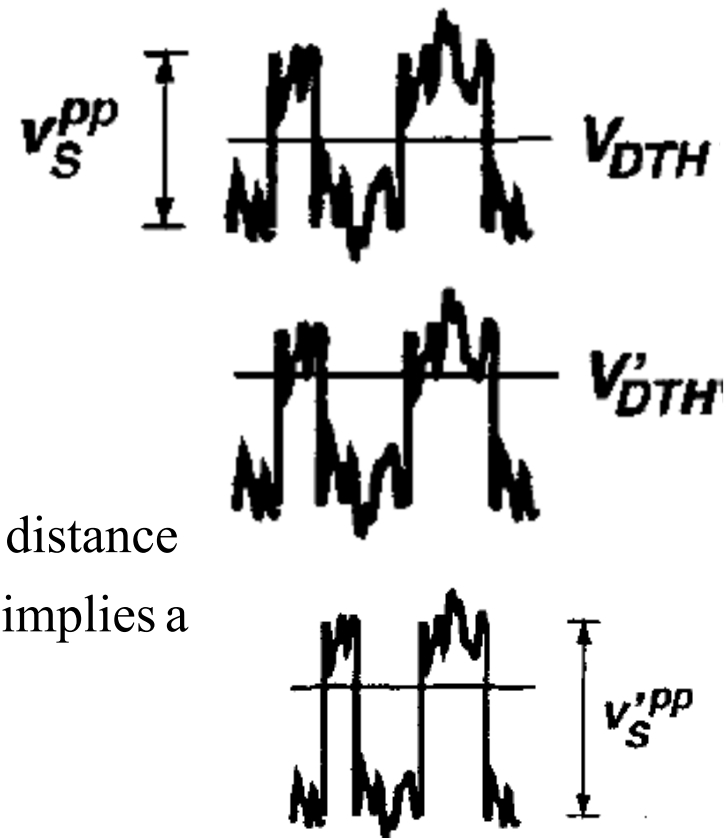
$$V'_{DTH} = V_{DTH} + \delta v_S^{pp}$$

Depending on the polarity on the offset, we must increase the distance of one of the levels (high level) from the offset threshold. This implies a

new peak - to - peak signal level  $v_S'^{pp}$  with

$$\frac{v_S'^{pp}}{2} = \frac{v_S^{pp}}{2} + \delta v_S^{pp}$$

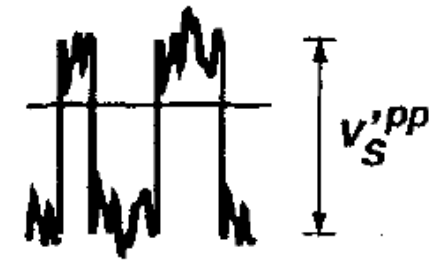
$$v_S'^{pp} = v_S^{pp} + 2\delta v_S^{pp} = v_S^{pp}(1 + 2\delta)$$



# Decision-Threshold Offset PP

Thus the signal swing must be increased by

$$\frac{v_S'^{pp}}{v_S^{pp}} = 1 + 2\delta$$



and the power penalty is

$$PP = 1 + 2\delta$$

- Note that we are neglecting the improved BER on one of the levels (low level), but formally considering this has only a small impact on the resulting PP

Example 1:  $v_n^{rms} = 1mV$  and the decision - threshold offset is  $1mV$

$$\text{For a BER} = 10^{-12} \Rightarrow v_S^{PP} = 14.07mV$$

$$\delta = \frac{1mV}{14.07mV} = 0.071$$

$$PP = 1 + 2\delta = 1.142 = 0.577dB$$

# Decision-Threshold Offset PP

---

Example 2 : What should the offset be for only a 0.1dB power penalty?

$$\delta = \frac{PP-1}{2}$$

$$\delta = \frac{10^{\frac{0.1}{10}} - 1}{2} = 0.012$$

Thus the offset should be

$$\delta v_S^{pp} = 0.012(14.07mV) = 164\mu V$$

- Good receiver offset control is necessary to minimize this power penalty!

# Dark Current PP

---

- Dark current by itself isn't a major issue, as we generally assume that the receiver can somehow subtract it out
- However, a potential problem is the shot noise that it induces, which can be quantified as a power penalty

$$\overline{i_{n,DK}^2} = 2qI_{DK}BW_n$$

# Dark Current PP

---

- To keep things simple, let's assume that the receiver noise is dominated by the amplifier noise. Note, this will slightly overestimate the dark current PP.
- The dark current noise increases the total noise by

$$\frac{\overline{i_{n,amp}^2} + \overline{i_{n,DK}^2}}{\overline{i_{n,amp}^2}} = 1 + \frac{2qI_{DK}BW_n}{\overline{i_{n,amp}^2}}$$

As the sensitivity is proportional to  $i_n^{rms}$

$$PP = \sqrt{1 + \frac{2qI_{DK}BW_n}{\overline{i_{n,amp}^2}}}$$

# Dark Current PP

---

Example 1: Assume a 2.5Gb/s receiver with  $i_{n,amp}^{rms} = 380nA$ ,  $BW_n = 1.9GHz$ ,  
and  $I_{DK} = 5nA$ .

$$PP = \sqrt{1 + \frac{2(1.6 \times 10^{-19} C)(5nA)(1.9GHz)}{(380nA)^2}} = 1.0000105 = 4.6 \times 10^{-5} dB$$

Example 2: What if I have an APD RX with  $F = 6$  and  $M = 10$ ?

$$PP = \sqrt{1 + \frac{F \cdot M^2 2qI_{DK} BW_n}{i_{n,amp}^2}} = \sqrt{1 + \frac{6(10)^2 (2)(1.6 \times 10^{-19} C)(5nA)(1.9GHz)}{(380nA)^2}} \\ = 1.0063 = 0.027 dB$$

# Dark Current PP

---

Example 3 : What must the dark current be for a 0.05dB power penalty?

$$I_{DK} < (PP^2 - 1) \frac{\overline{i_{n,amp}^2}}{2qBW_n}$$

Using the 2.5Gb/s receiver numbers

$$I_{DK} < \left( \left( 10^{\frac{0.05}{10}} \right)^2 - 1 \right) \frac{(380nA)^2}{2(1.6 \times 10^{-19} C)(1.9GHz)} = 5.53 \mu A$$

- As long as the effective dark current is in the low  $\mu A$  or less, the power penalty is generally negligible



# Agenda

---

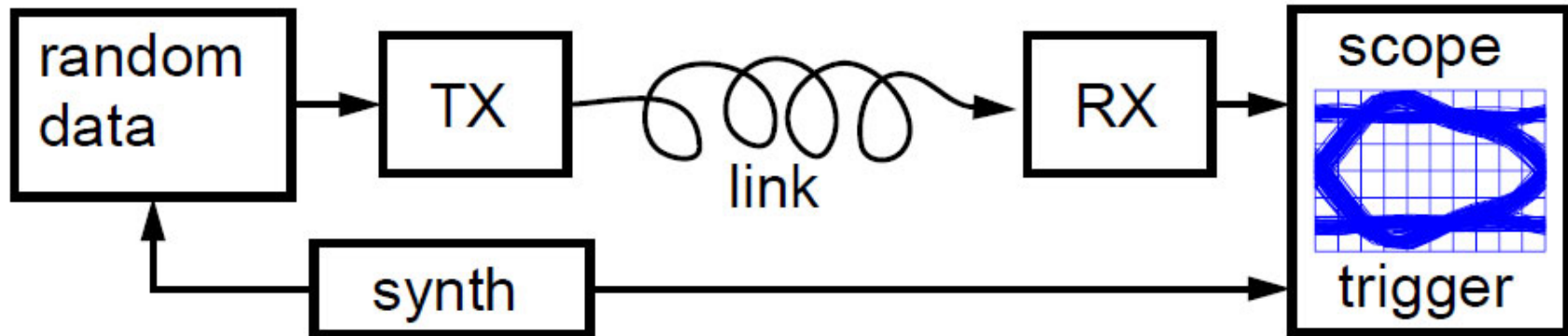
- Receiver Model
- Bit-Error Rate
- Sensitivity
- Personick Integrals
- Power Penalties
- **Bandwidth**
- Equalization
- Jitter
- Forward Error Correction

# Noise vs ISI Bandwidth Trade-Offs

---

- If we design our receiver to have a very wide bandwidth, then we will receive the signal with minimal distortion
- However, noise will grow as bandwidth increases
- From a basic sensitivity perspective, decreasing bandwidth results in ever-improving sensitivity
- However, this neglects the filtering of the high-frequency pulses (bits) which causes intersymbol interference (ISI)
- Thus, there is an optimum bandwidth from a sensitivity perspective to balance noise and ISI
- This optimum bandwidth is generally about  $(2/3)B$

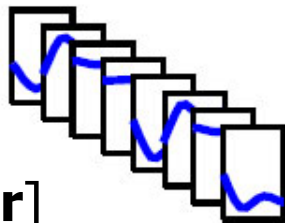
# Eye Diagrams



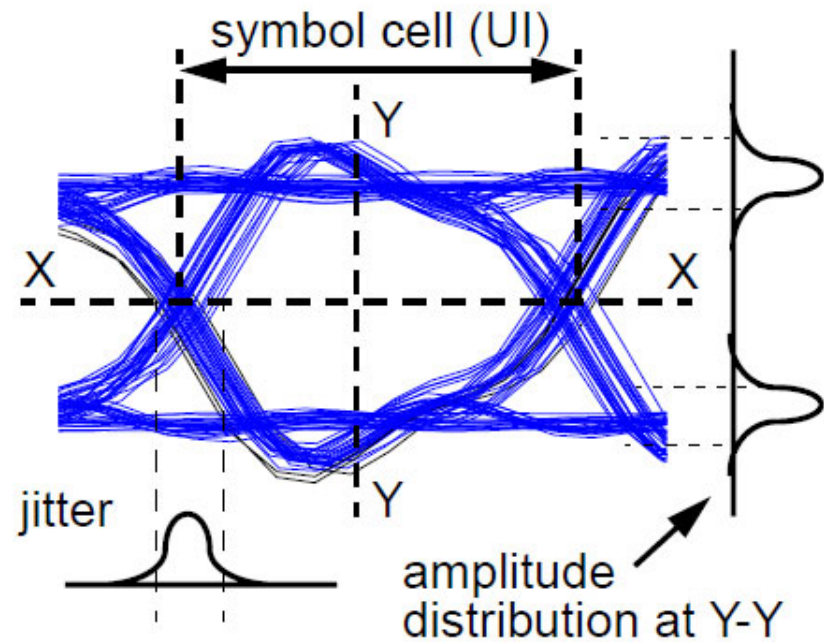
Use a precise clock to chop the data into equal periods



overlay each period onto one plot

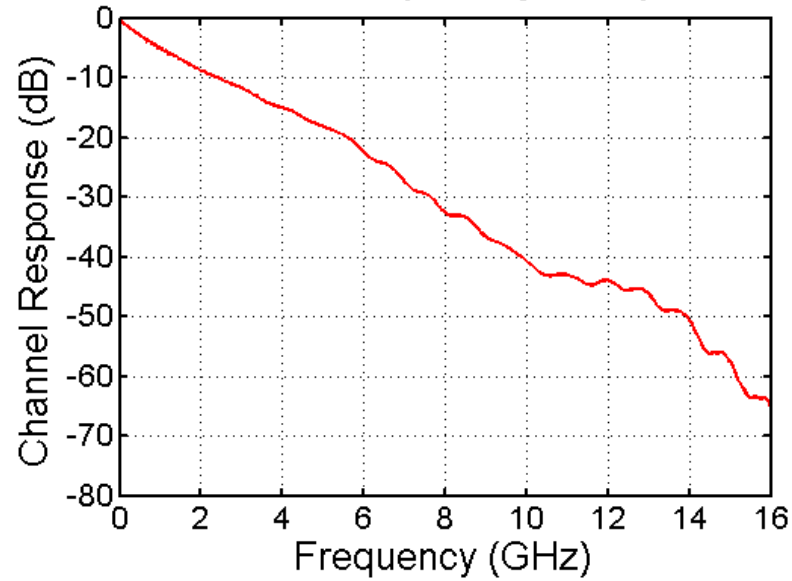


[Walker]

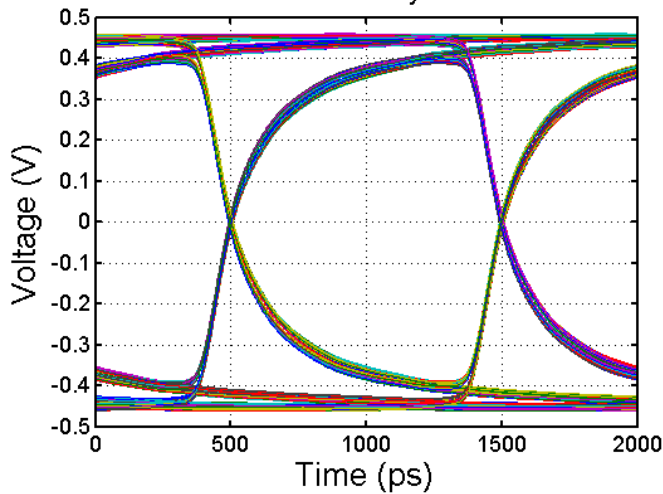


# Eye Diagrams vs Data Rate

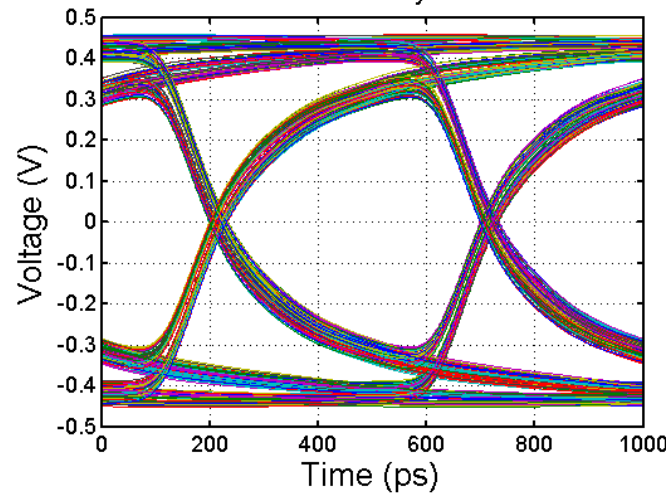
Channel Frequency Response



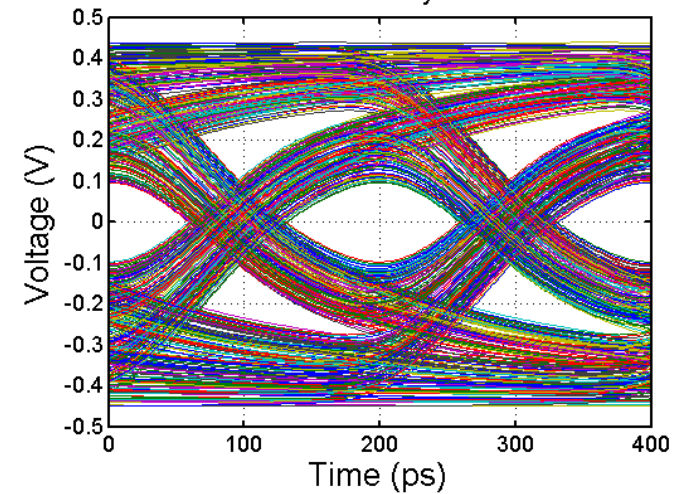
1Gb/s Eye



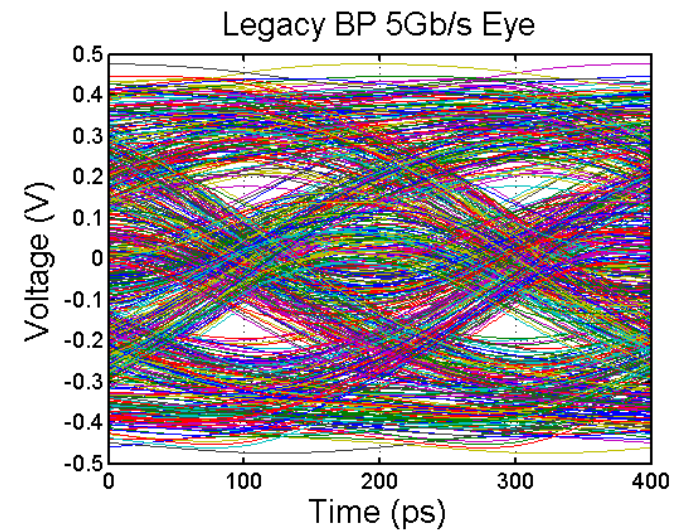
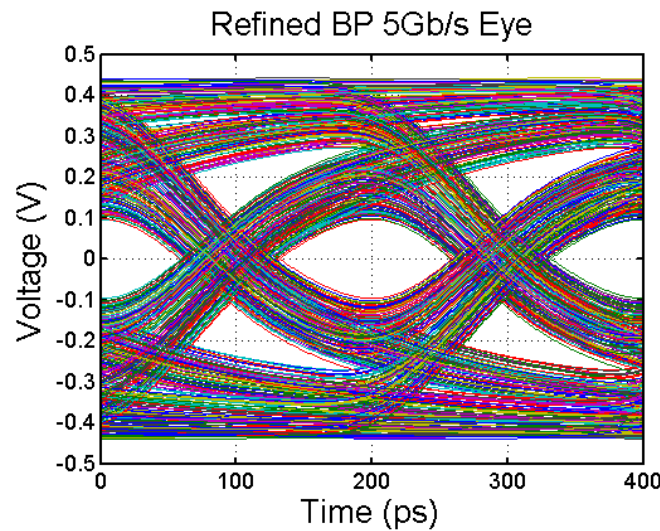
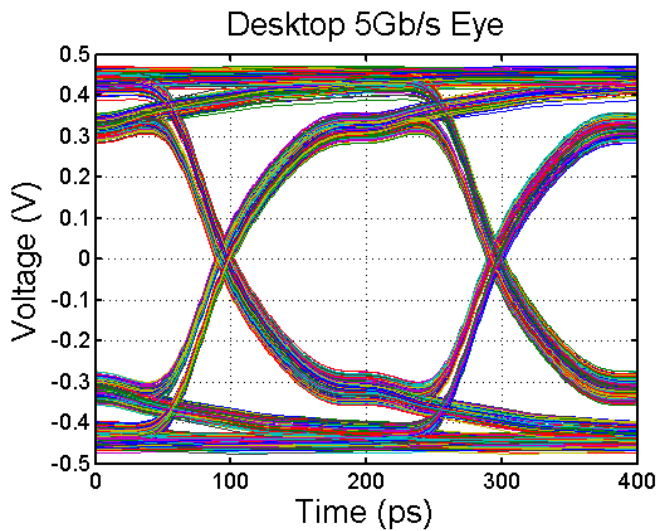
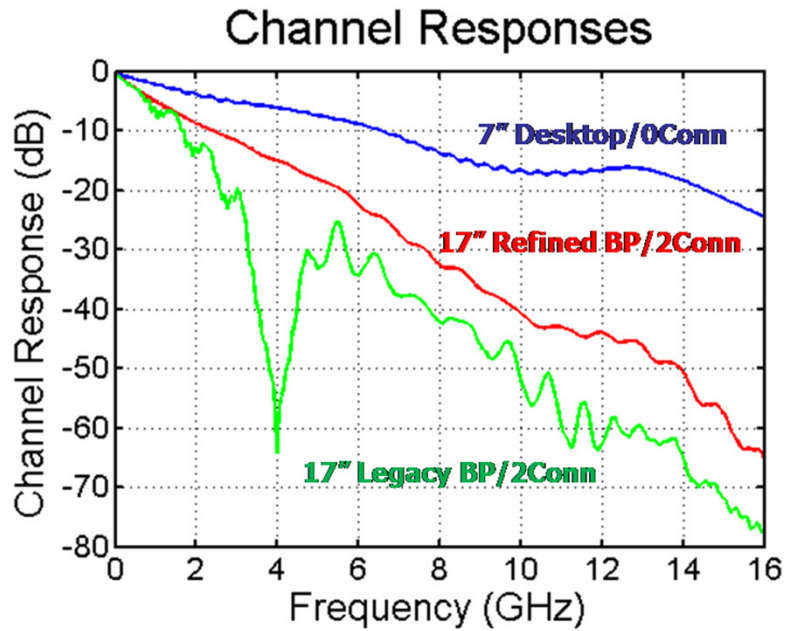
2Gb/s Eye



5Gb/s Eye



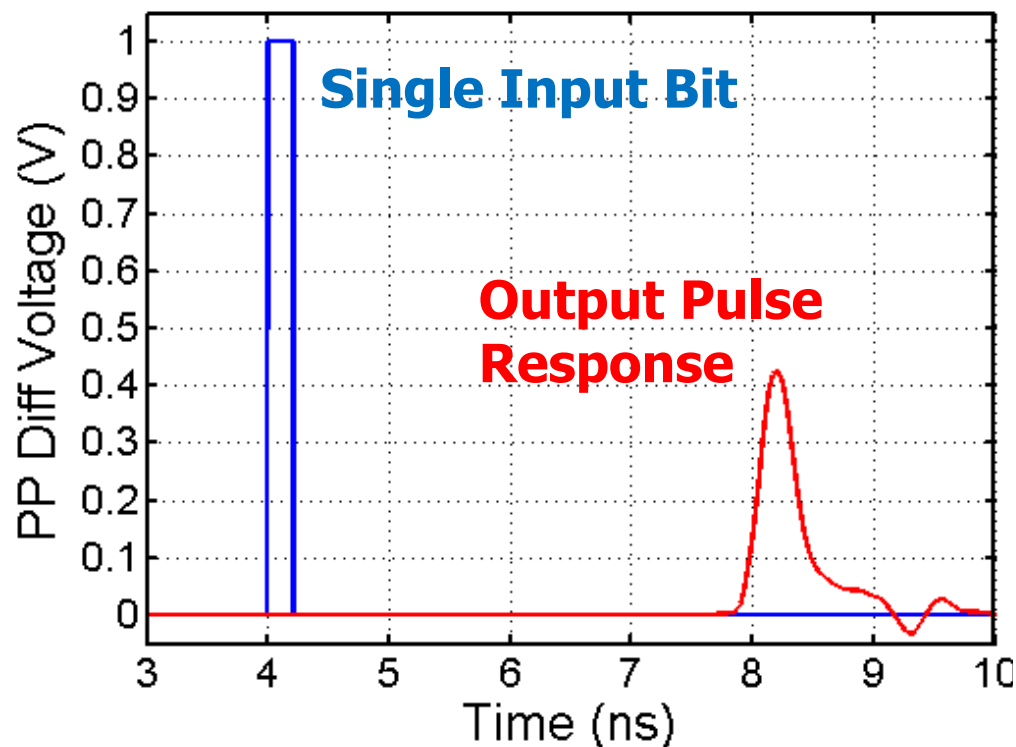
# Eye Diagrams vs Channel



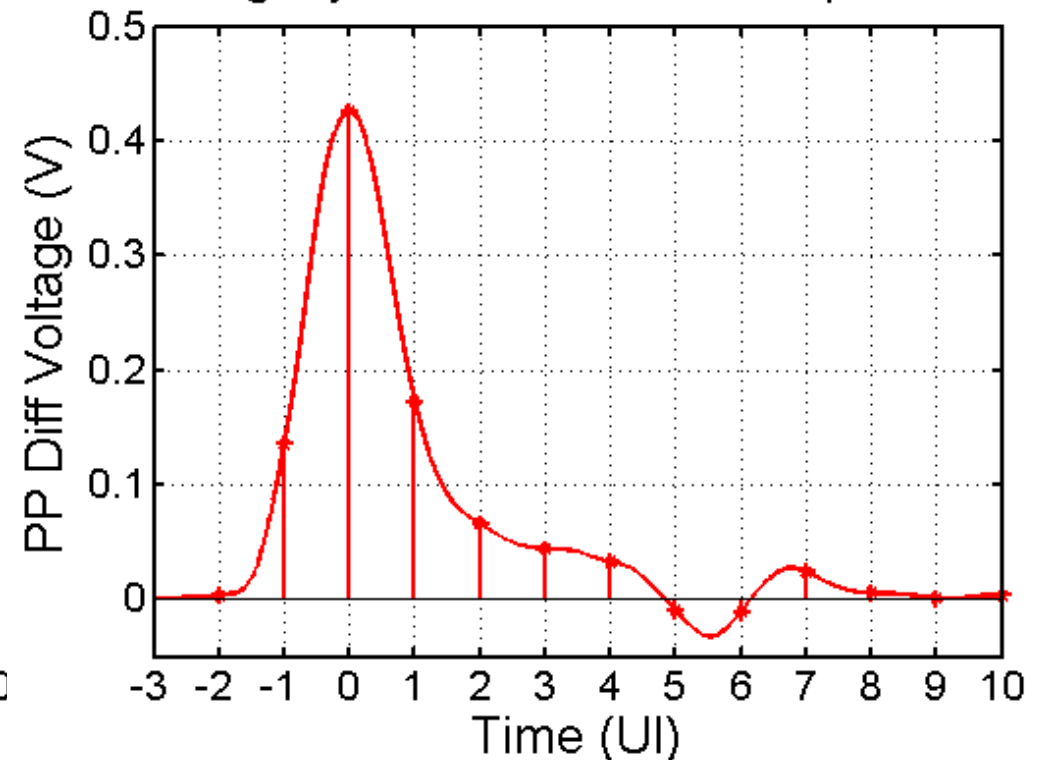
# Inter-Symbol Interference (ISI)

- Previous bits residual state can distort the current bit, resulting in inter-symbol interference (ISI)
- ISI is caused by
  - Reflections, Channel resonances, Channel loss (dispersion)

Legacy BP 5Gb/s Pulse Response

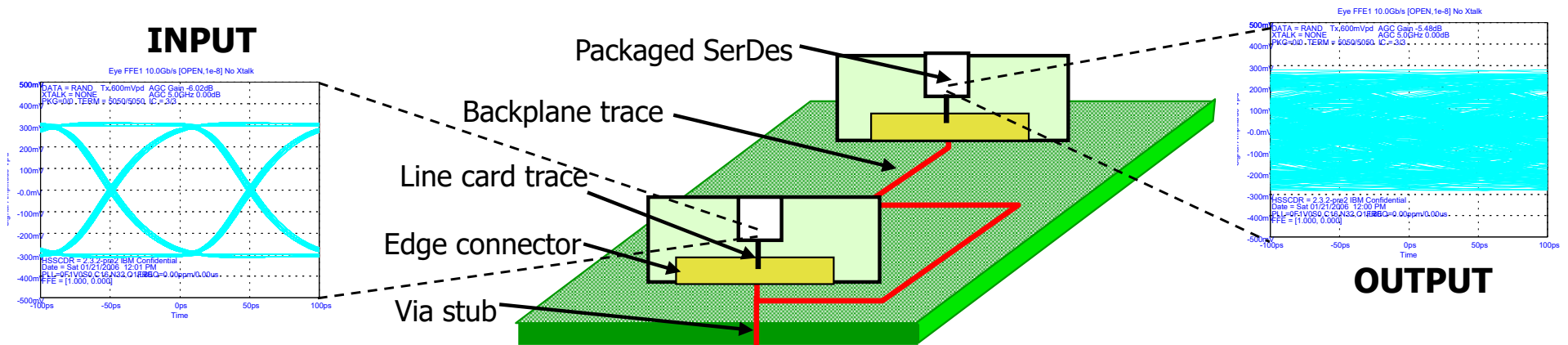


Legacy BP 5Gb/s Pulse Response



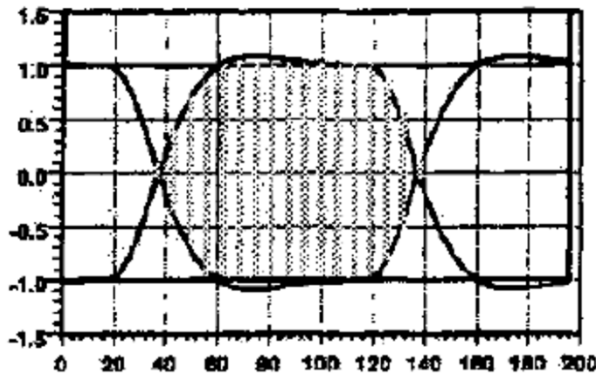
# ISI Impact

- At channel input (TX output), eye diagram is wide open
- As data pulses propagate through channel, they experience dispersion and have significant ISI
  - Result is a closed eye at channel output (RX input)



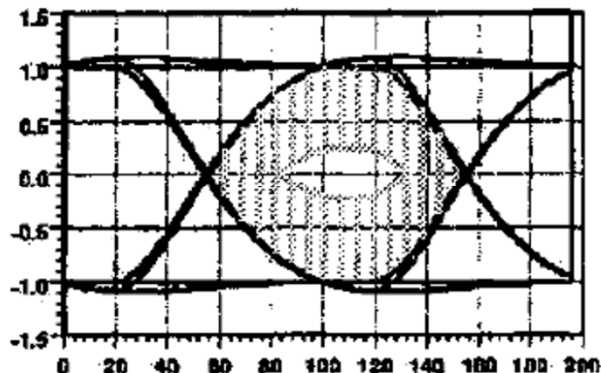
[Meghelli (IBM) ISSCC 2006]

# Eye Diagrams w/ a 2<sup>nd</sup>-Order Butterworth RX



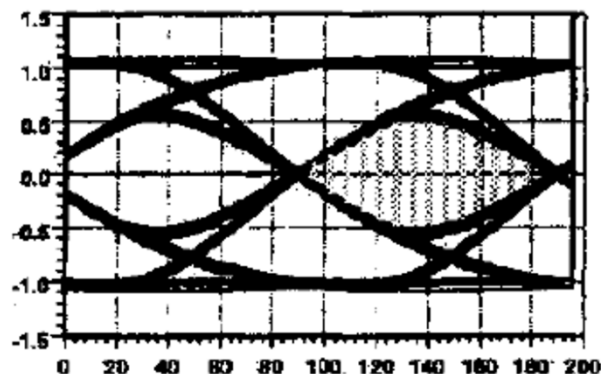
$$BW_{3dB} = \frac{4}{3} B$$

- No ISI present
- Assume that the noise ( $BER=10^{-12}$ ) is exactly equal to the eye height, and we have no margin



$$BW_{3dB} = \frac{2}{3} B$$

- Still minimal (no) ISI present
- Assuming white noise dominates, we have a  $\sqrt{2}$  reduction in rms noise
- We could reduce our optical power by the same  $\sqrt{2}$  factor and obtain the same BER!



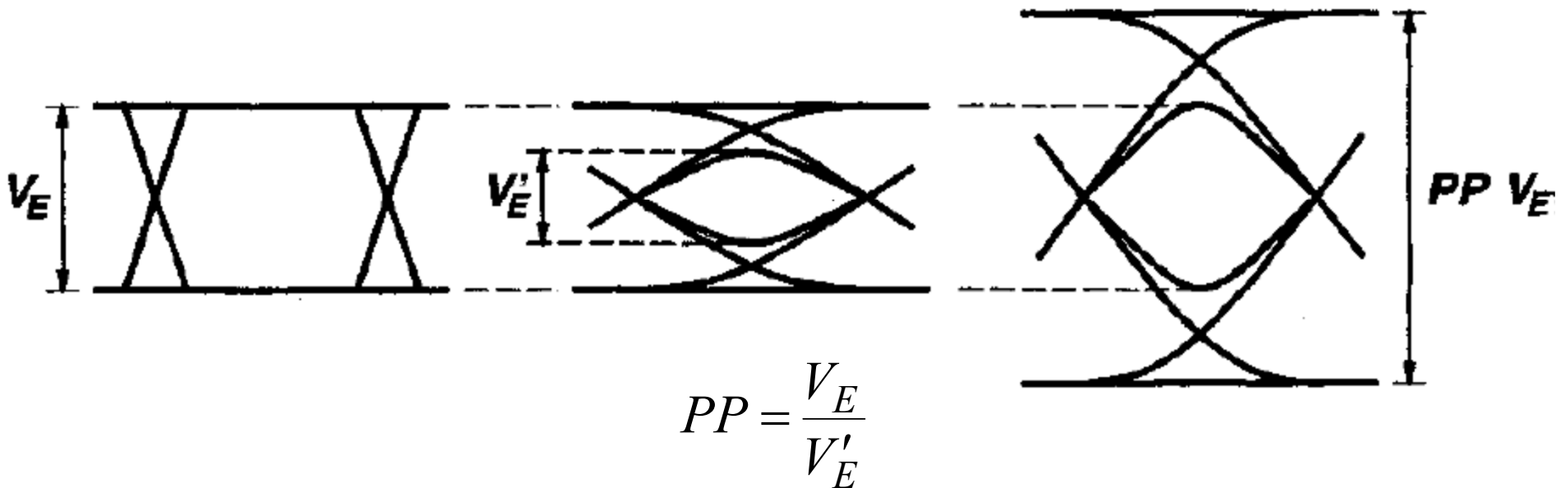
$$BW_{3dB} = \frac{1}{3} B$$

- Severe ISI ( $\sim 1/2$  eye height)
- While the rms noise is reduced by 2x, the overall vertical margin is the same as the  $\frac{4}{3}B$  RX
- Note that if we are off in time (horizontally), we won't achieve our desired BER!



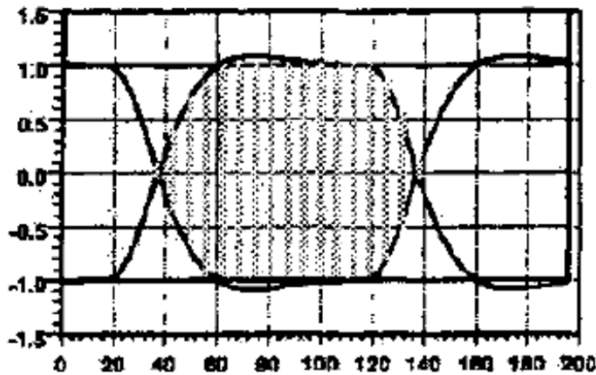
# ISI Power Penalty

- In order to get the same effective (vertical) eye opening, we have to increase our optical signal power to overcome the ISI

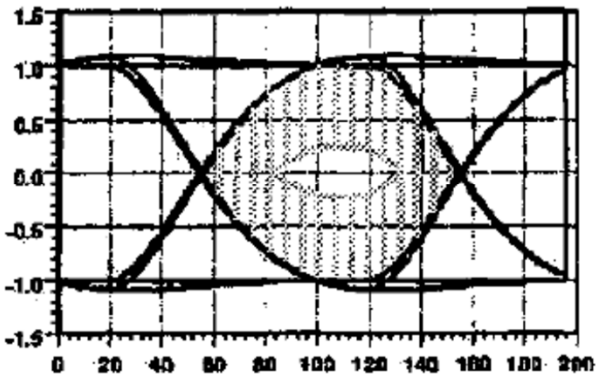


- Note, this power penalty is a bit conservative, as the worst-case data pattern, which produces the eye closure can occur at a low probability. This is a peak-distortion analysis power penalty.

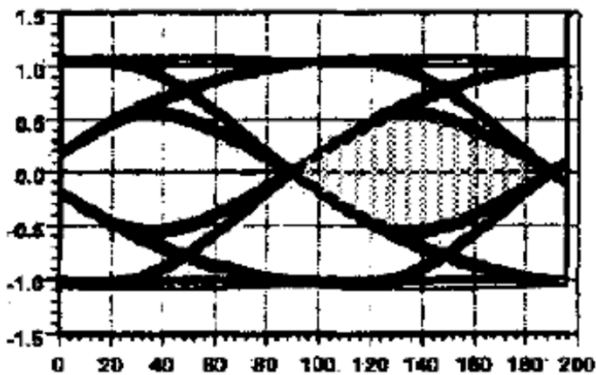
# Optimum Receiver Bandwidth



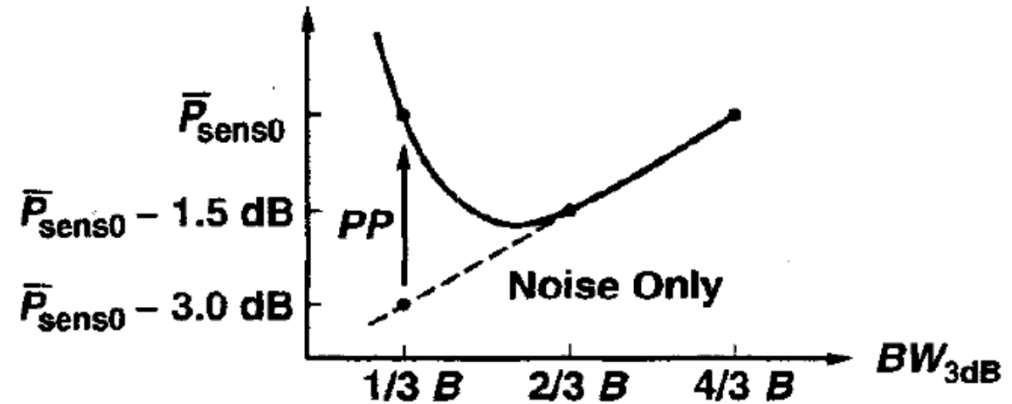
$$BW_{3dB} = \frac{4}{3} B$$



$$BW_{3dB} = \frac{2}{3} B$$



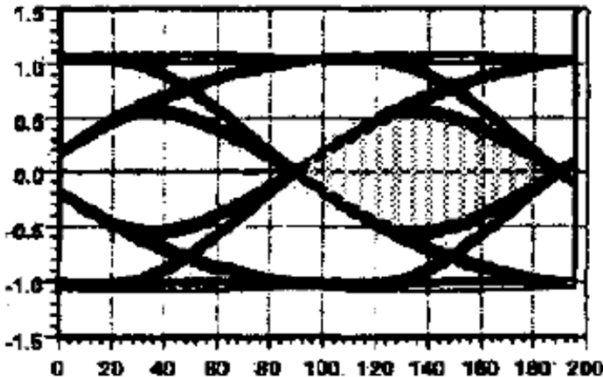
$$BW_{3dB} = \frac{1}{3} B$$



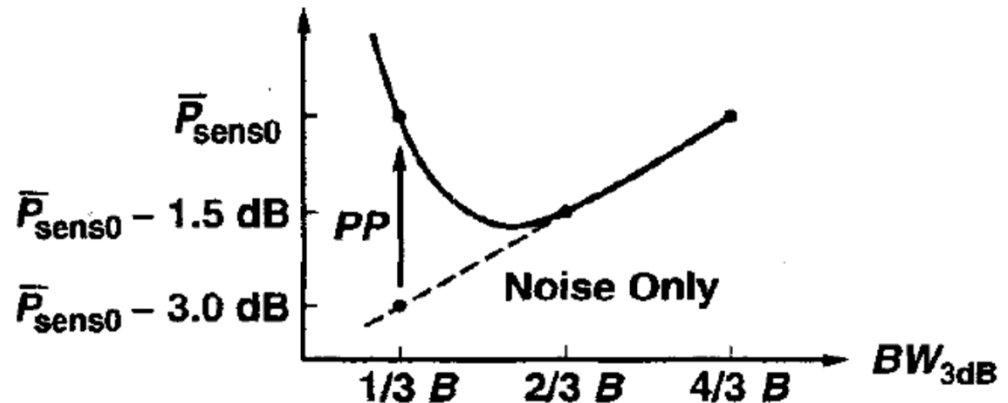
- Assuming white noise dominates, the sensitivity improves by a sqrt factor as bandwidth decreases
- However, around  $(2/3)B$  the ISI power penalty increases rapidly
- Overall, the optimum bandwidth is near 60%-70% of the bit rate

# Will a $B/3$ Bandwidth RX Work?

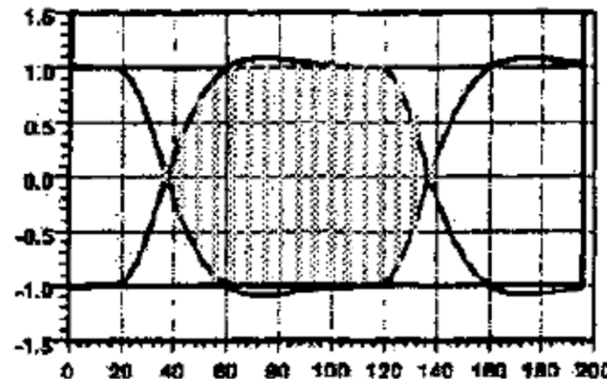
- If I am willing to live with a 1.5dB degradation in sensitivity, can I design my receiver with  $B/3$  bandwidth?
  - 13.3GHz for a 40Gb/s RX!



$$BW_{3dB} = \frac{1}{3} B$$

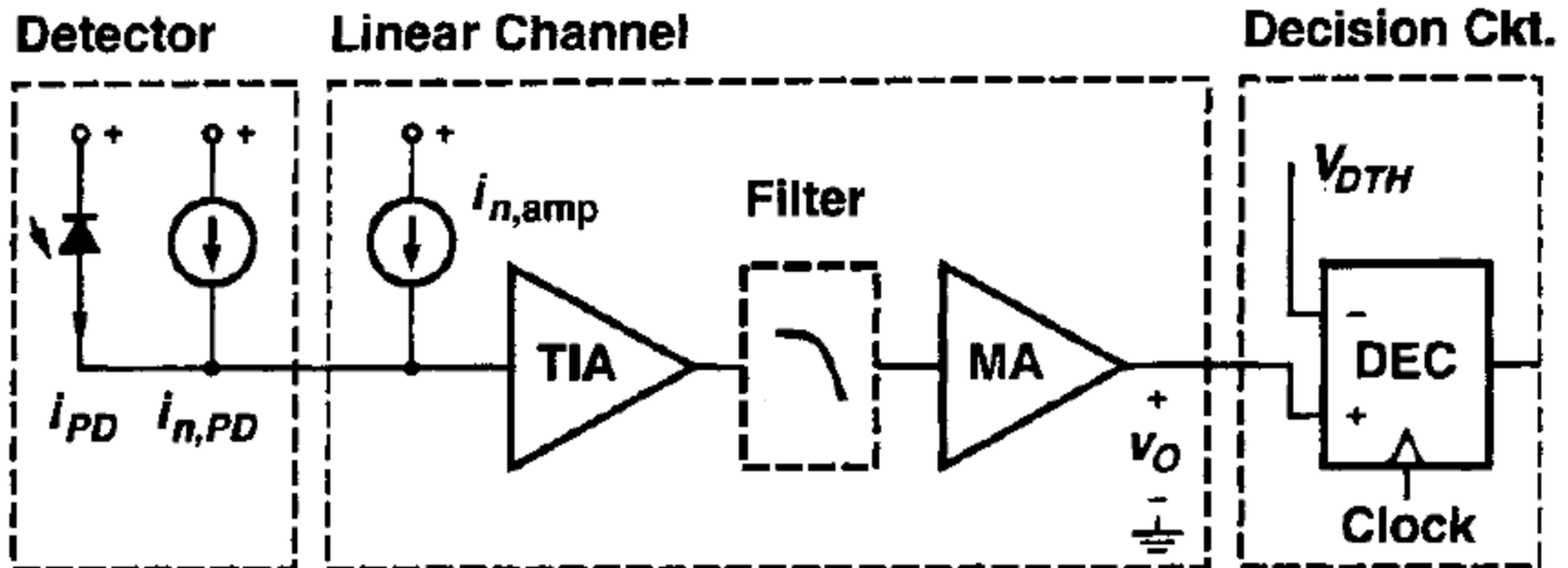


- Maybe, there is much more sensitivity to timing noise (jitter)
- Note that while the  $(4/3)B$  receiver has theoretically the same sensitivity, it maintains the same effective eye height over a much wider time window



$$BW_{3dB} = \frac{4}{3} B$$

# Bandwidth Allocation



- Note that the equivalent bandwidth of the entire receiver front-end must be close to  $(2/3)B$
- Thus, each individual block must have a larger bandwidth

$$\frac{1}{BW^2} \approx \frac{1}{BW_1^2} + \frac{1}{BW_2^2} + \dots$$

# Bandwidth Allocation Strategies

---

- Wide bandwidth circuits and a precise low-pass filter
  - Often a Bessel-Thompson filter is used to limit the noise
  - Applicable for low-speed receivers ( $<2.5\text{Gb/s}$ )
- TIA sets the receiver bandwidth
  - Allows for a higher TIA gain and better noise performance
  - This means that the subsequent MA stages need to have a much wider bandwidth
  - Higher bandwidth than a fixed filter, but also less controlled
- All blocks have similar bandwidths
  - If we are designing at the highest speeds, then we can't afford to overdesign any of the blocks
  - Applicable for higher-speed receivers ( $>10\text{Gb/s}$ )

# Optimum Receiver Response

---

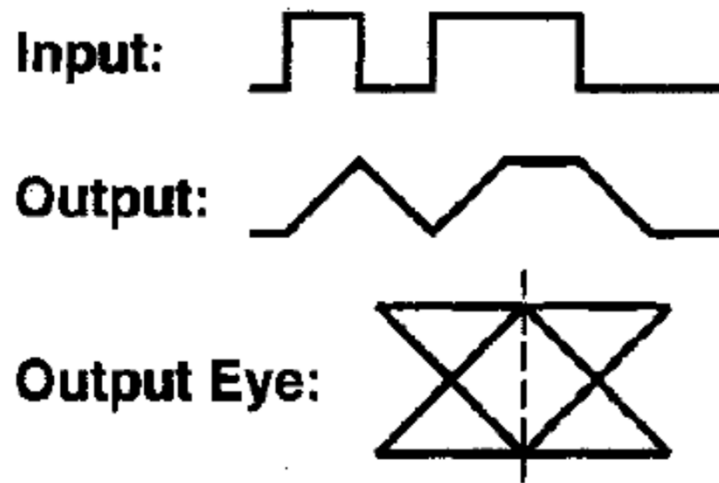
- While we have shown that a bandwidth of  $\sim(2/3)B$  is optimum from a receiver-induced ISI and noise perspective, is this truly the optimal response when we consider other factors?
- Important factors
  - Received signal ISI
  - Input-referred noise spectrum
  - RX clock jitter
  - Bit estimation technique

# Low ISI Input Optimal RX Response

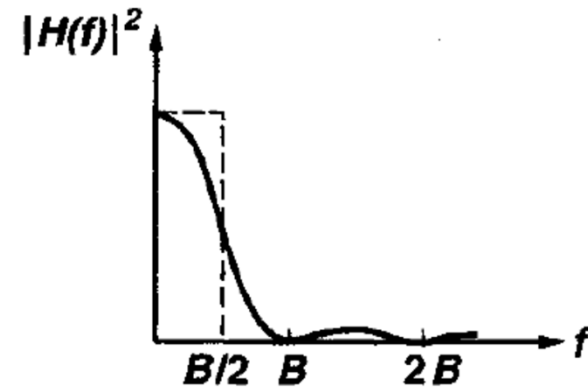
---

- A matched filter receiver maximizes the sampled signal-to-noise ratio if the input ISI is minimal
- This has an impulse response  $h(t)$  which is proportional to a time-reversed copy of the received pulses  $x(t)$
- For NRZ signals, this is a simple rectangular filter with an impulse response being a rectangular pulse with length of one bit period

# Rectangular Filter



$$H(f) = \frac{\sin(\pi f / B)}{\pi f / B} e^{-j\pi f / B}$$



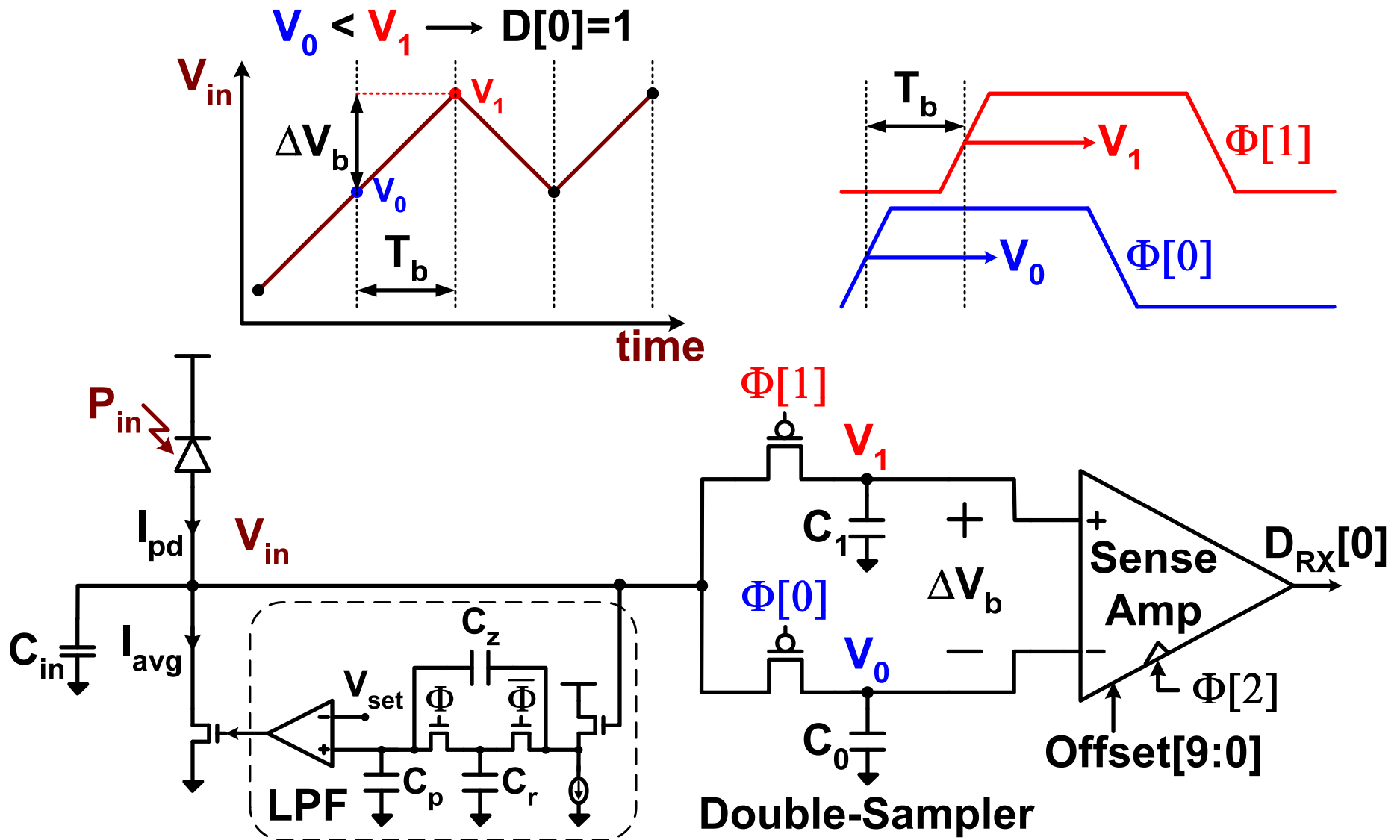
- If we convolve the NRZ input with the rectangular filter impulse response, we get a triangular output waveform
  - Not sampling exactly in the center of the eye will result in a power penalty
- In the frequency domain, the rectangular filter has

$$\text{Noise Bandwidth: } BW_n = B/2$$

$$\text{3 - dB Bandwidth: } BW_{3dB} = 0.443B$$

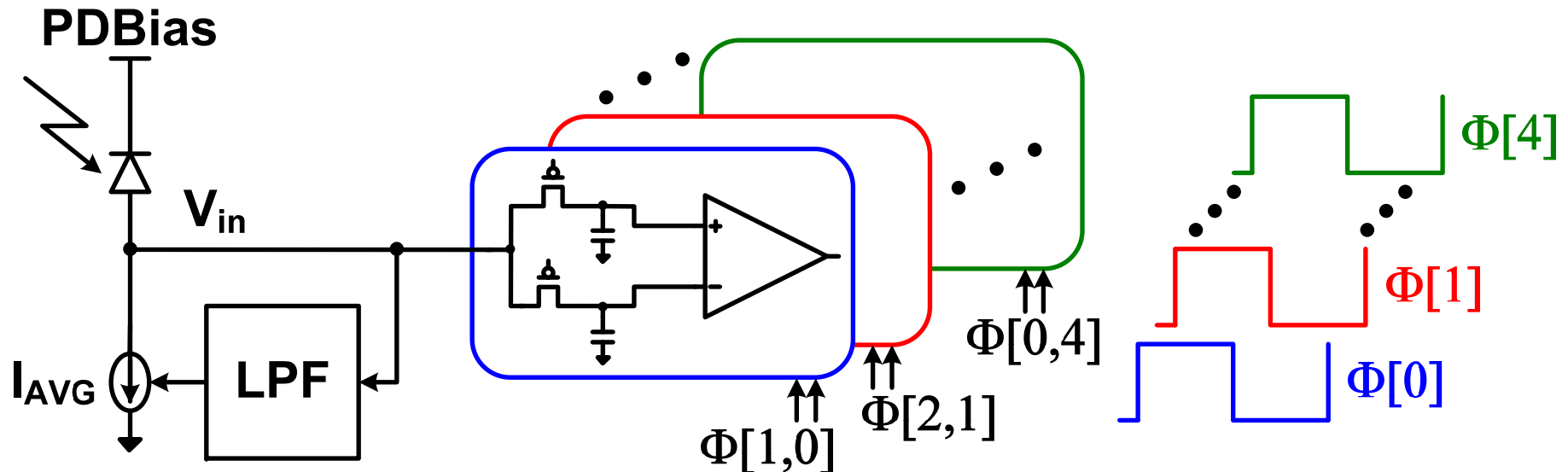


# Integrating Receiver Block Diagram



[Emami VLSI 2002]

# Demultiplexing Receiver



- Demultiplexing with multiple clock phases allows higher data rate
  - Data Rate = #Clock Phases x Clock Frequency
  - Gives sense-amp time to resolve data
  - Allows continuous data resolution

# Agenda

---

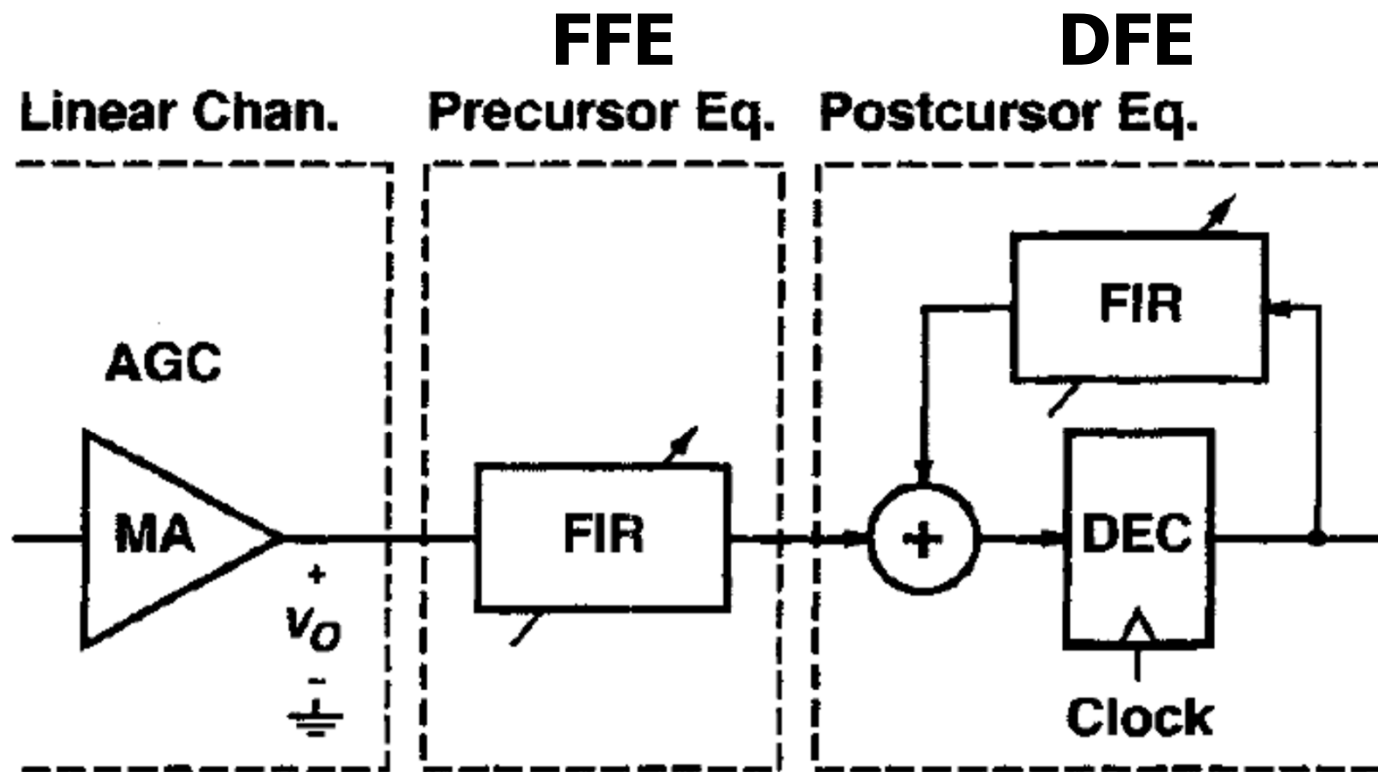
- Receiver Model
- Bit-Error Rate
- Sensitivity
- Personick Integrals
- Power Penalties
- Bandwidth
- Equalization
- Jitter
- Forward Error Correction

# What If We Have Significant ISI?

---

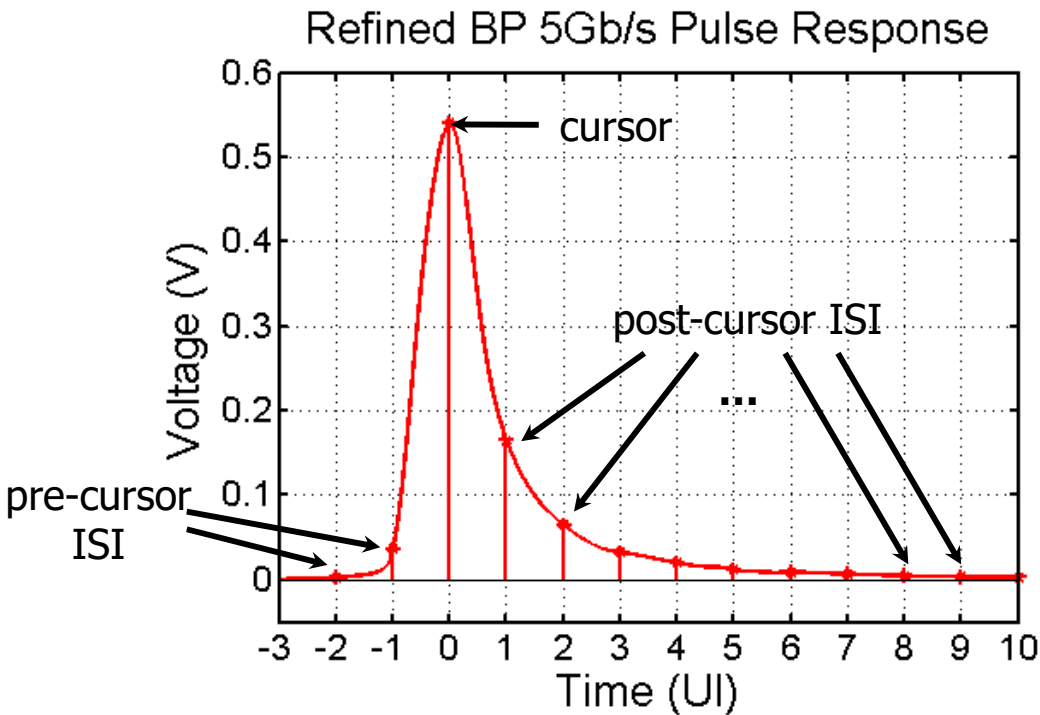
- If we have significant ISI in our system, then an integrating receiver is not optimal
- It is preferred to have a receiver with bandwidth  $\sim(2/3)B$  to filter the noise, and then have circuitry which cancels the ISI
- A Viterbi decoder, which performs a maximum-likelihood sequence detection, is an optimum realization of an ISI canceller. However, this is generally too complex (power/area).
- Instead, an equalizer is often used to cancel ISI

# Receiver with Equalization

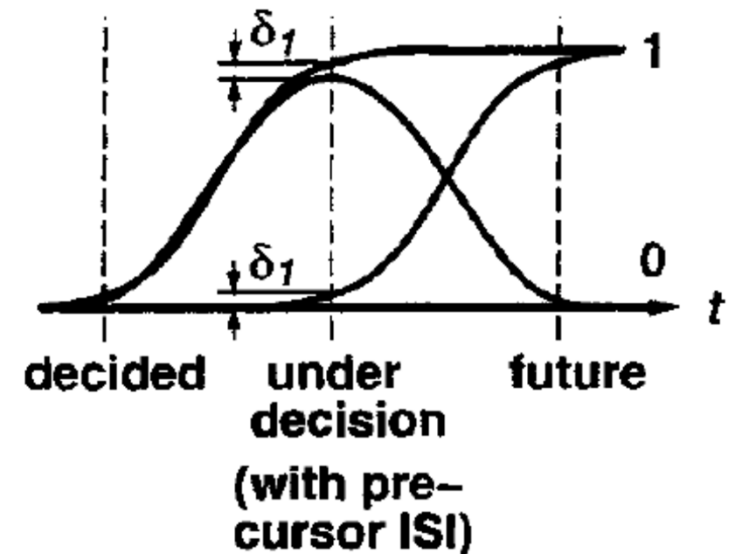
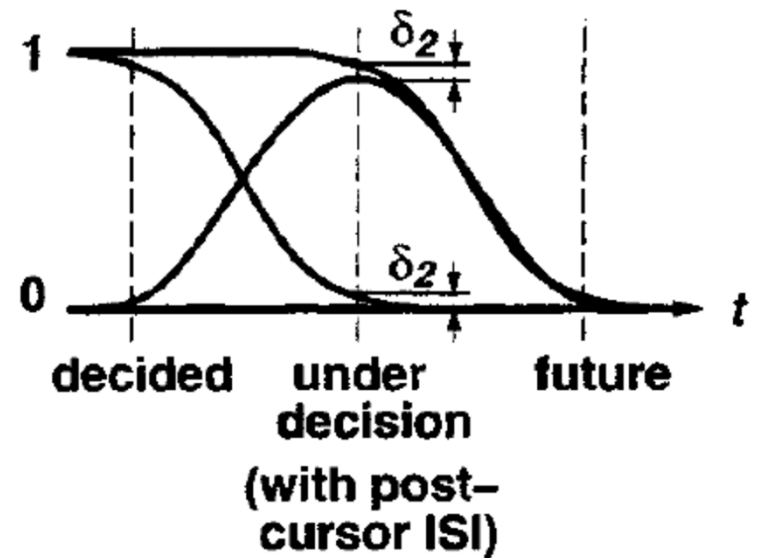


- An FIR filter, also called a feed-forward equalizer (FFE), is used to (primarily) cancel pre-cursor ISI
- A decision feedback equalizer (DFE) cancels post-cursor ISI

# Pre- and Post-Cursor ISI

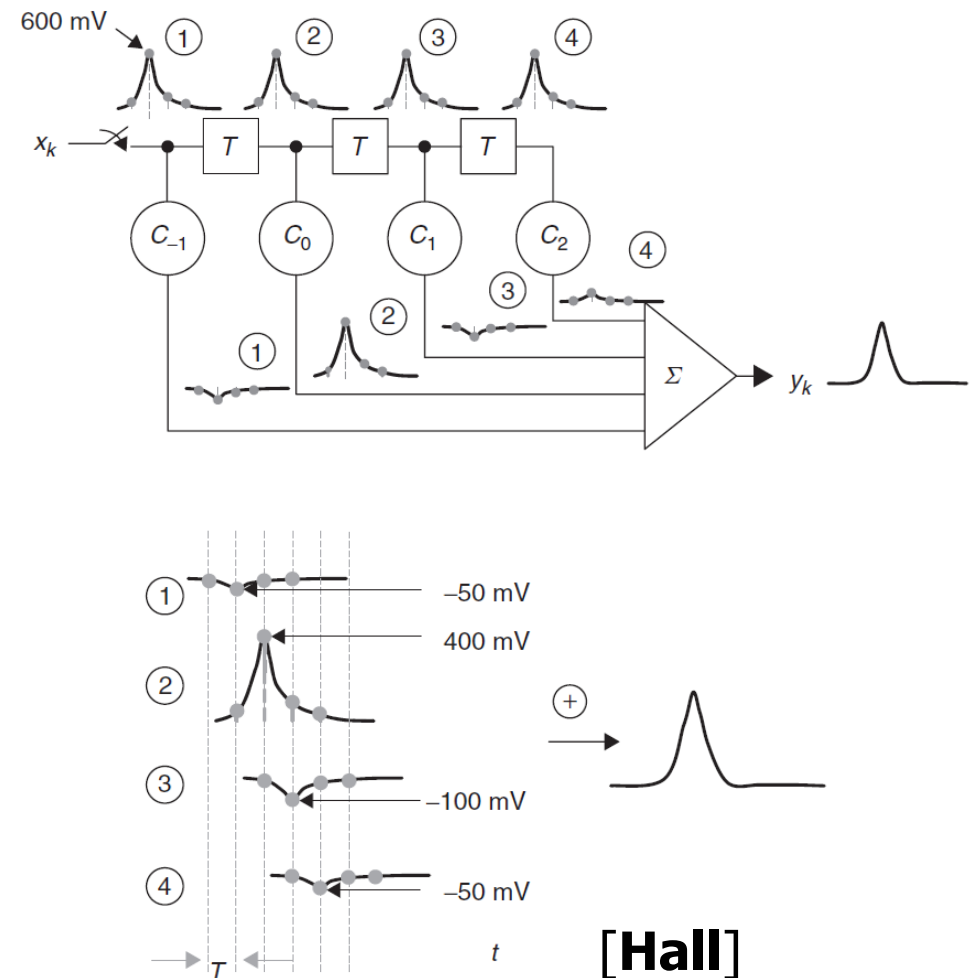


- With post-cursor ISI, the bits **before** our current bit induces some error in the detected level
- With pre-cursor ISI, the bits **after** our current bit induce the error
- ISI can span over multiple bit periods



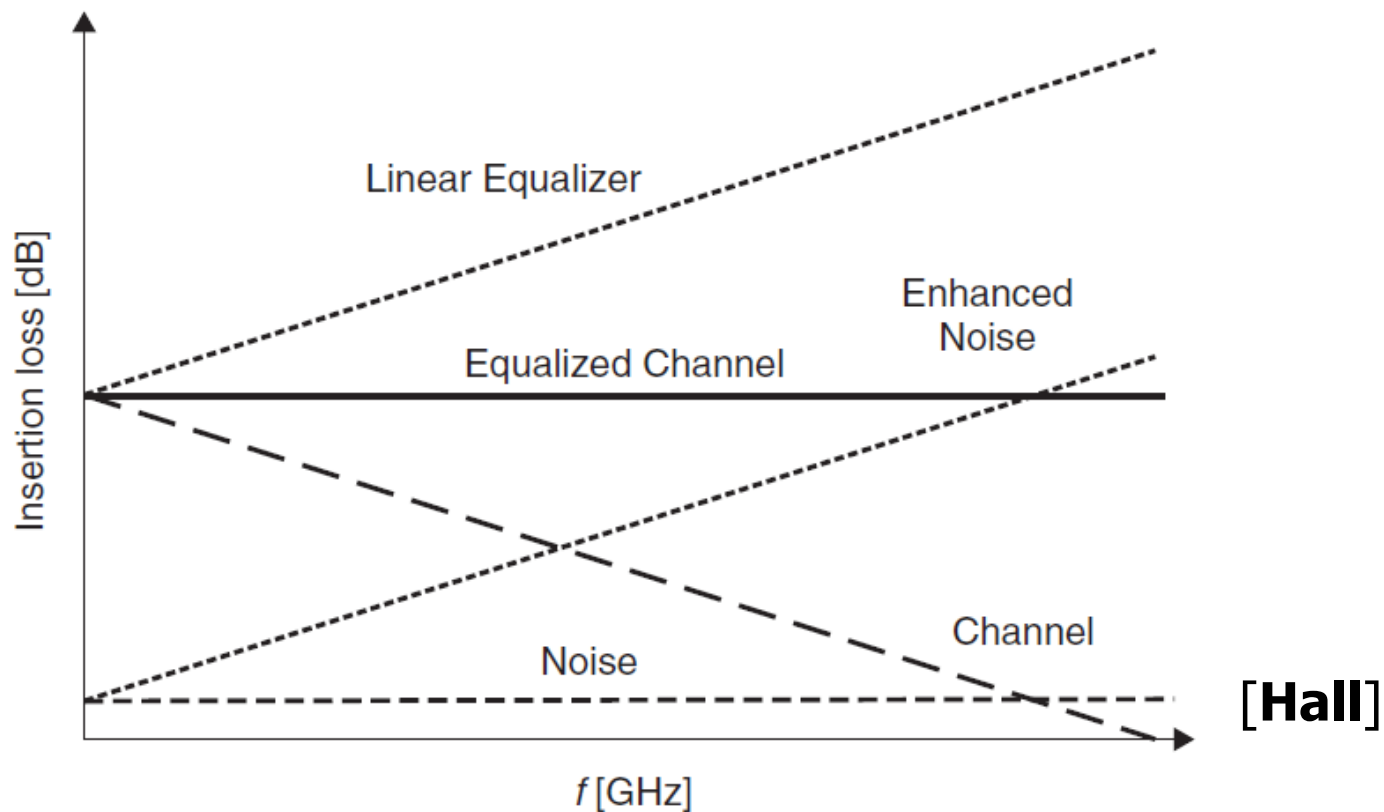
# RX FIR Equalization

- Delay analog input signal and multiply by equalization coefficients
- Pros
  - With sufficient dynamic range, can amplify high frequency content (rather than attenuate low frequencies)
  - Can cancel ISI in pre-cursor and beyond filter span
  - Filter tap coefficients can be adaptively tuned without any back-channel
- Cons
  - Amplifies noise/crosstalk
  - Implementation of analog delays
  - Tap precision



# RX Equalization Noise Enhancement

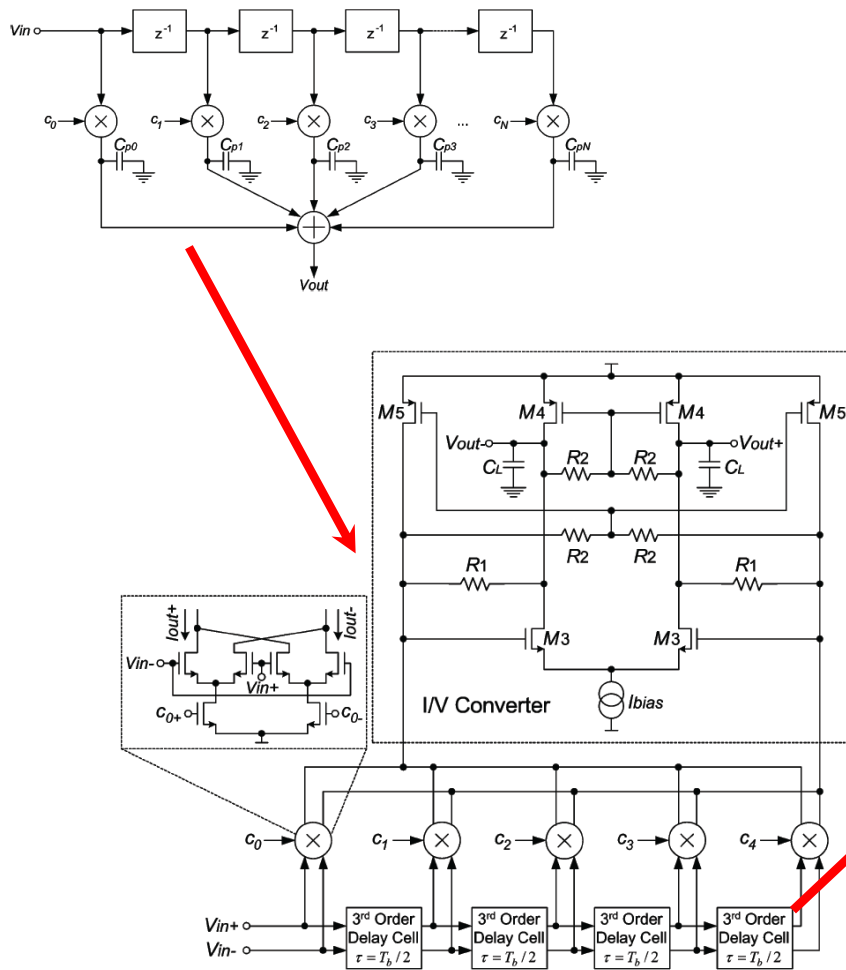
- Linear RX equalizers don't discriminate between signal, noise, and cross-talk
  - While signal-to-distortion (ISI) ratio is improved, SNR remains unchanged



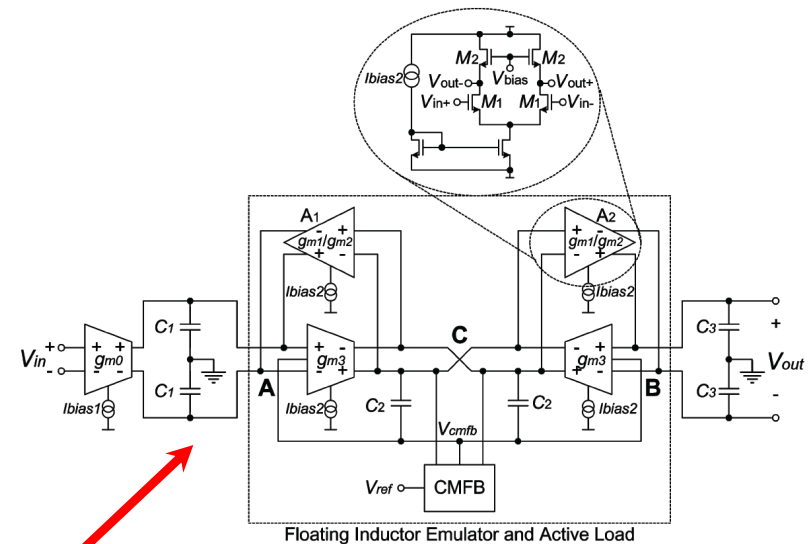


# Analog RX FIR Equalization Example

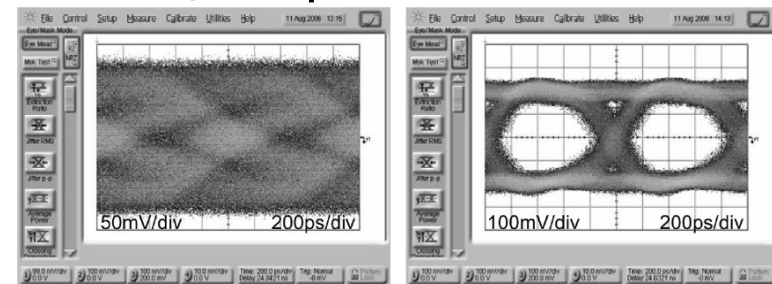
- 5-tap equalizer with tap spacing of  $T_b/2$



3<sup>rd</sup>-order delay cell



1Gb/s experimental results



Before Equalizer: 23meters

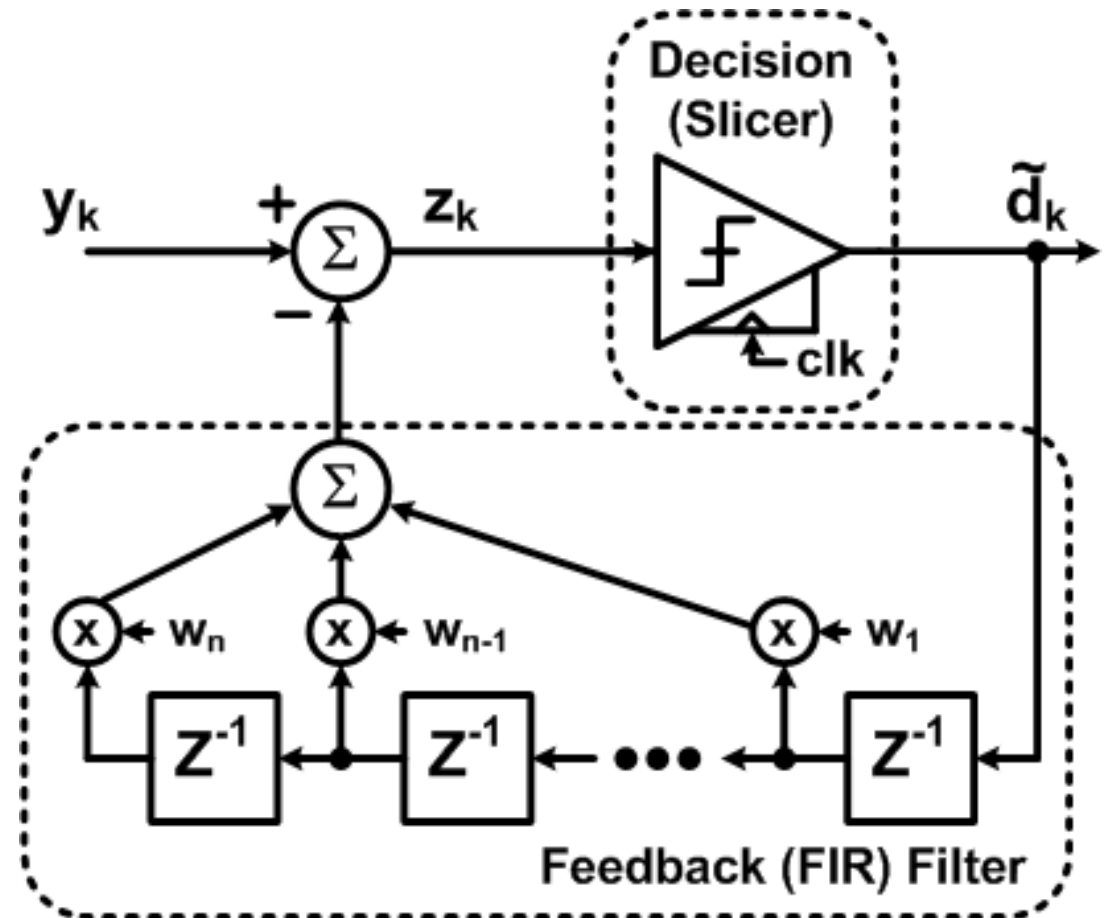
After Equalizer: 23meters

D. Hernandez-Garduno and J. Silva-Martinez, "A CMOS 1Gb/s 5-Tap Transversal Equalizer based on 3<sup>rd</sup>-Order Delay Cells," ISSCC, 2007.

# RX Decision Feedback Equalization (DFE)

- DFE is a **non-linear** equalizer
- Slicer makes a **symbol decision**, i.e. quantizes input
- ISI is then directly subtracted from the incoming signal via a feedback FIR filter

$$z_k = y_k - w_1 \tilde{d}_{k-1} \cdots - w_{n-1} \tilde{d}_{k-(n-1)} - w_n \tilde{d}_{k-n}$$



# RX Decision Feedback Equalization (DFE)

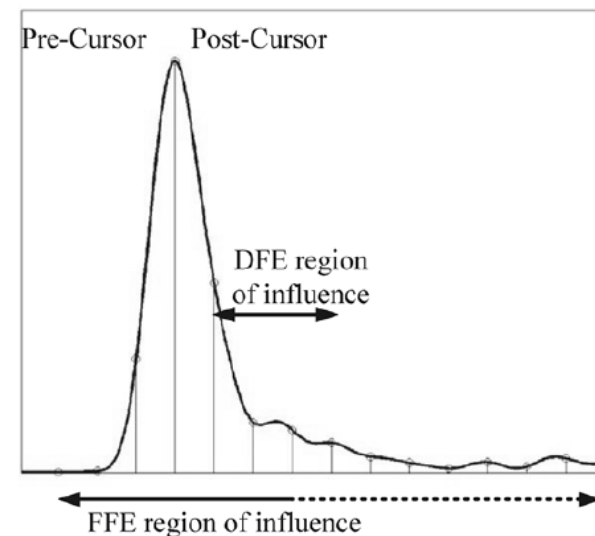
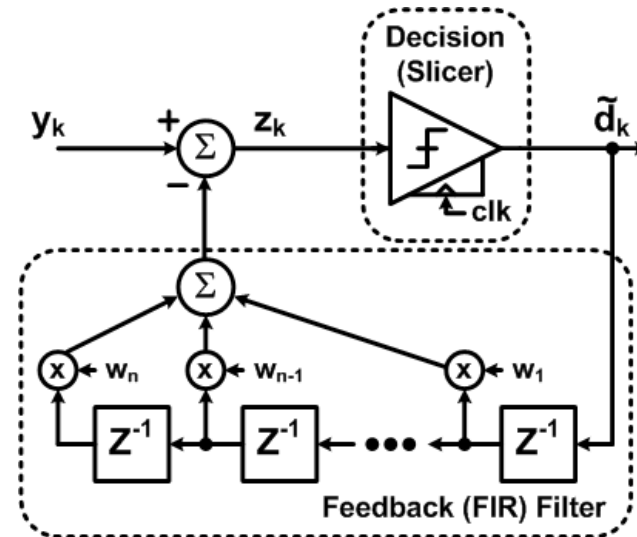
- Pros

- Can boost high frequency content without noise and crosstalk amplification
- Filter tap coefficients can be adaptively tuned without any back-channel

- Cons

- Cannot cancel pre-cursor ISI
- Chance for error propagation
  - Low in practical links (BER=10<sup>-12</sup>)
- Critical feedback timing path
- Timing of ISI subtraction complicates CDR phase detection

$$z_k = y_k - w_1 \tilde{d}_{k-1} \cdots - w_{n-1} \tilde{d}_{k-(n-1)} - w_n \tilde{d}_{k-n}$$

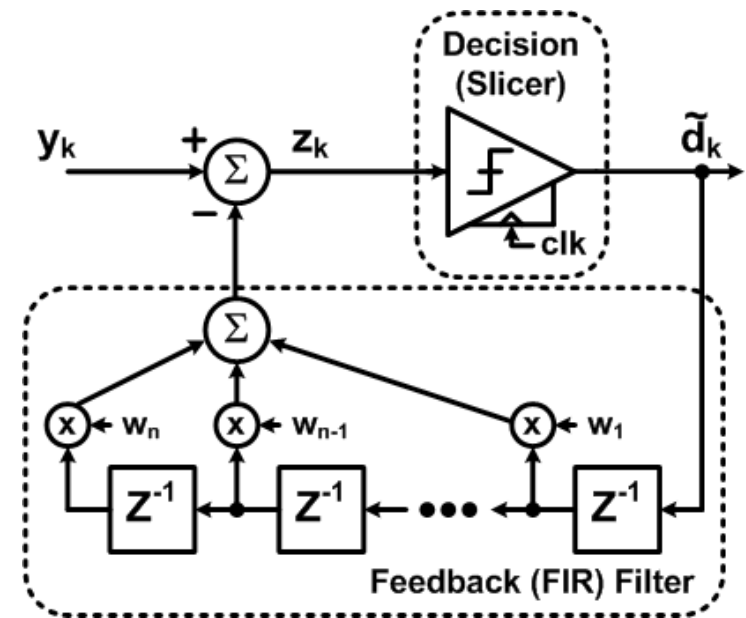


[Payne]

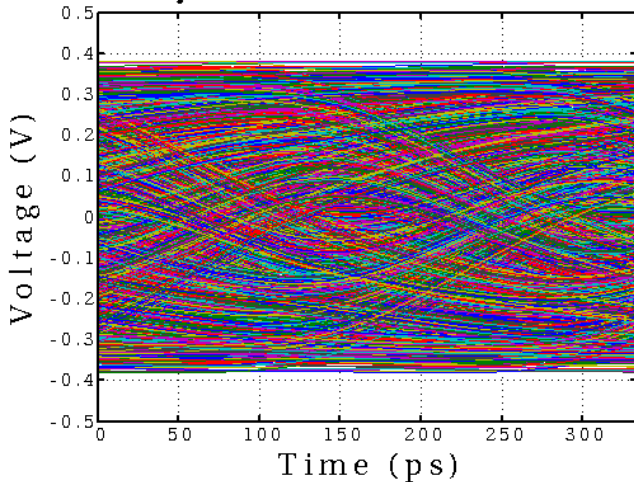
# DFE Example

- If only DFE equalization, DFE tap coefficients should equal the unequalized channel pulse response values  $[a_1 \ a_2 \ \dots \ a_n]$
- With other equalization, DFE tap coefficients should equal the pre-DFE pulse response values
  - DFE provides flexibility in the optimization of other equalizer circuits
  - i.e., you can optimize a TX equalizer without caring about the ISI terms that the DFE will take care of

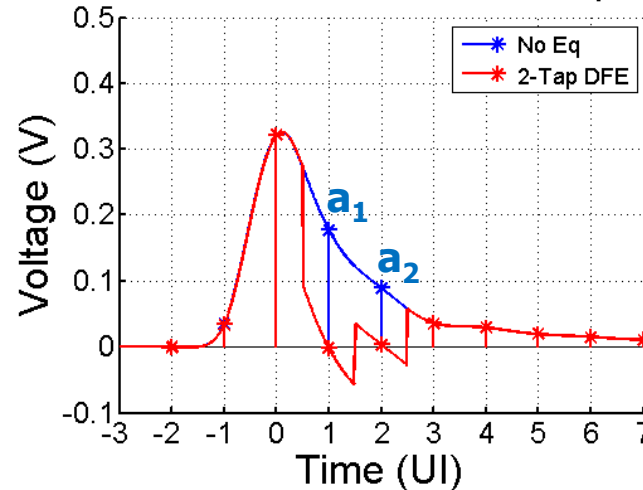
$$[w_1 \ w_2] = [a_1 \ a_2]$$



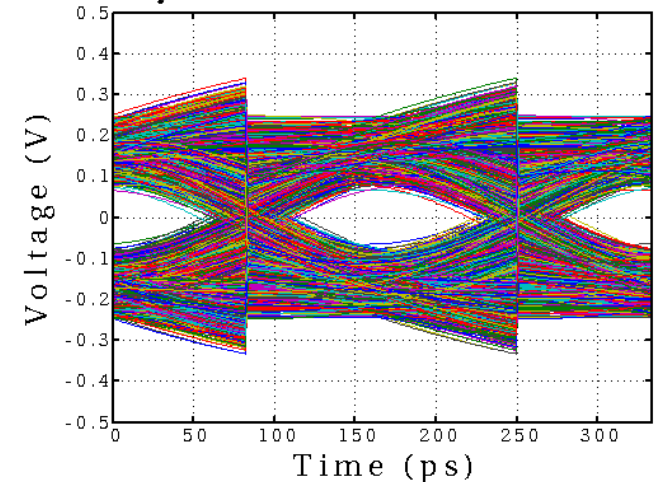
6Gb/s Eye - Refined BP Channel w/ No Eq



Refined BP Channel 6Gb/s Pulse Responses



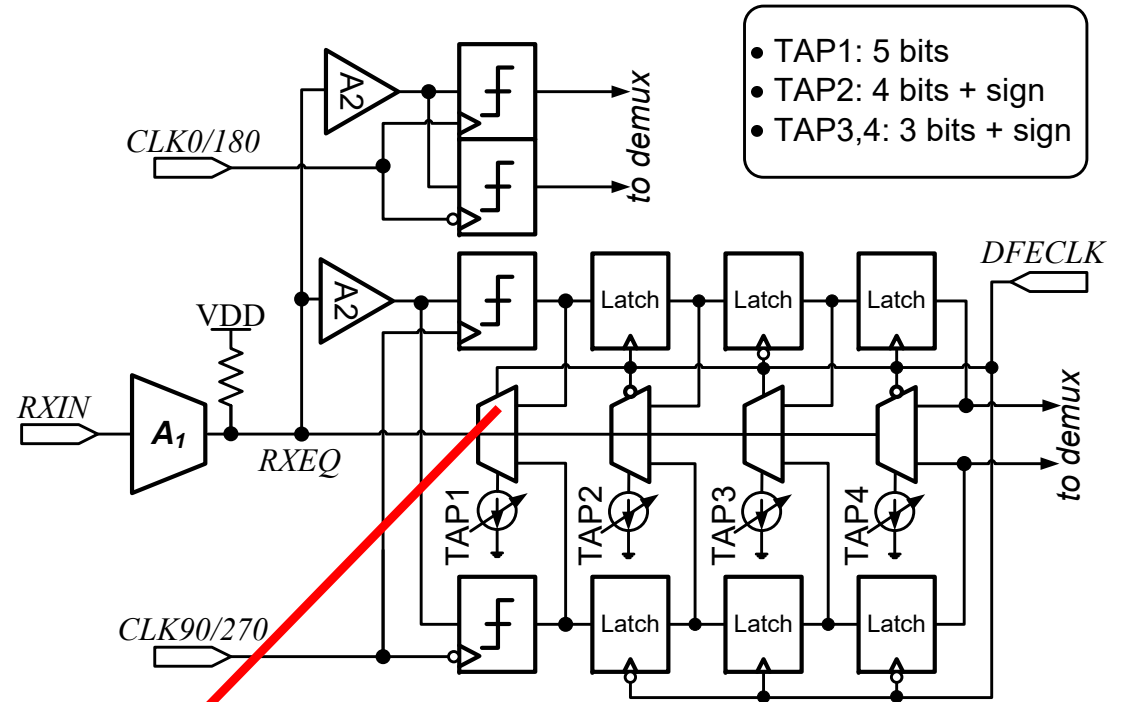
6Gb/s Eye - Refined BP Channel w/ RX DFE Eq



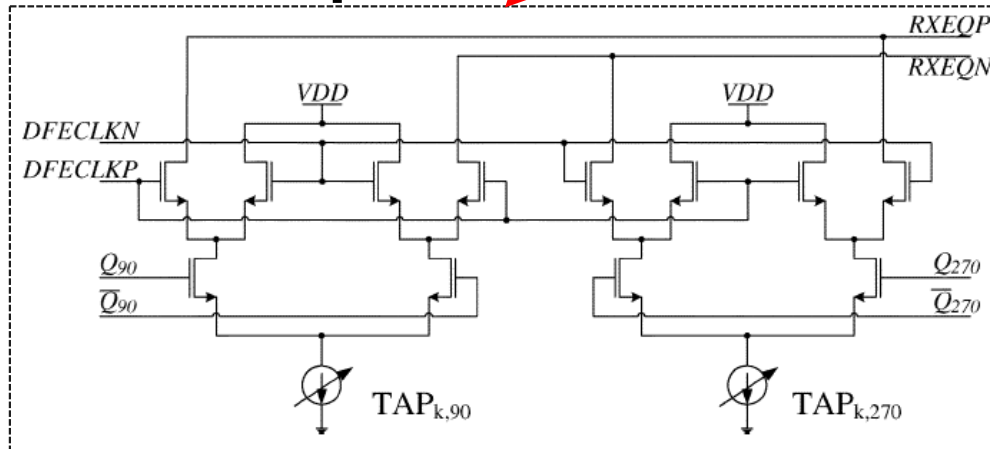
# Direct Feedback DFE Example (TI)

- 6.25Gb/s 4-tap DFE

- 1/2 rate architecture
- Adaptive tap algorithm
- Closes timing on 1st tap in **1/2 UI** for convergence of both adaptive equalization tap values and CDR



## Feedback tap mux



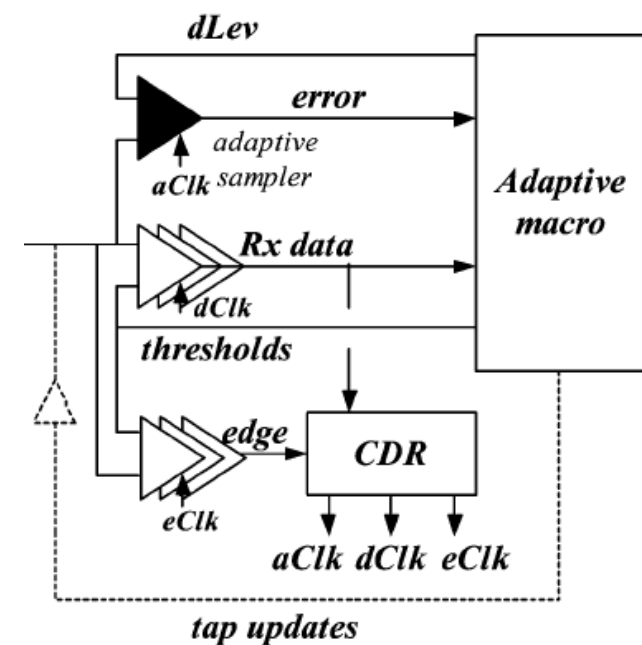
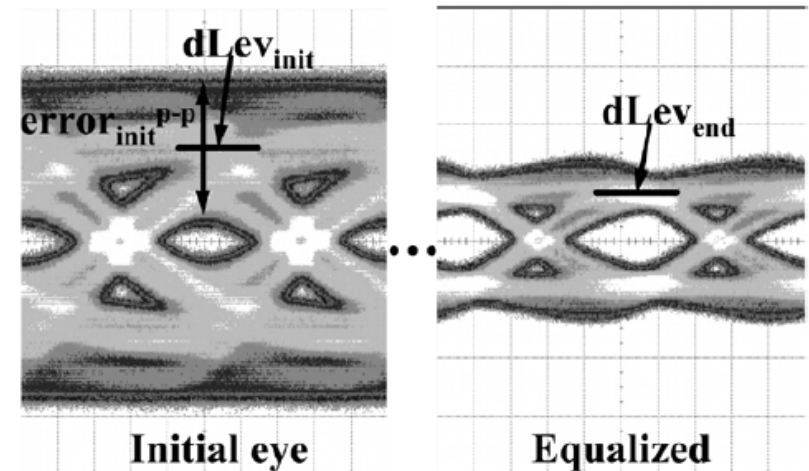
# Setting Equalizer Values

---

- Simplest approach to setting equalizer values (tap weights, poles, zeros) is to fix them for a specific system
  - Choose optimal values based on lab measurements
  - Sensitive to manufacturing and environment variations
- An adaptive tuning approach allows the optimization of the equalizers for varying channels, environmental conditions, and data rates
- Important issues with adaptive equalization
  - Extracting equalization correction (error) signals
  - Adaptation algorithm and hardware overhead
  - Communicating the correction information to the equalizer circuit

# FIR Adaptation Error Extraction

- In order to adapt the FIR filter, we need to measure the response at the receiver input
- Equalizer adaptation (error) information is often obtained by comparing the receiver input versus the desired symbol levels,  $dLev$
- This necessitates additional samplers at the receiver with programmable threshold levels



[Stojanovic JSSC 2005]

# FIR Adaptation Algorithm

- The sign-sign LMS algorithm is often used to adapt equalization taps due to implementation simplicity

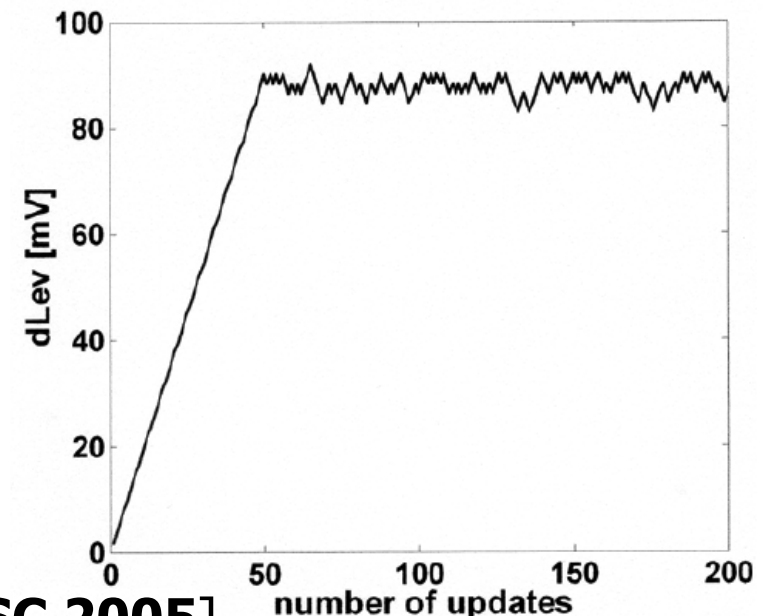
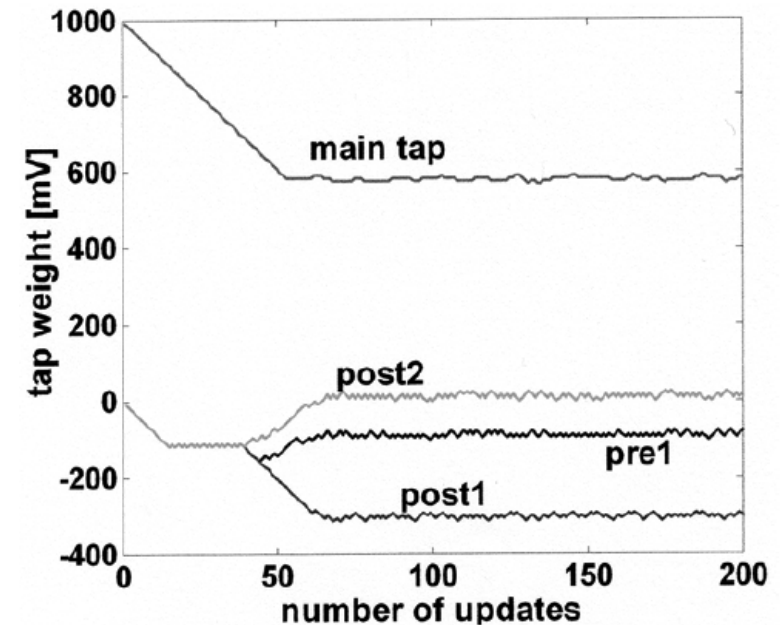
$$w_{n+1}^k = w_n^k + \Delta_w \text{sign}(d_{n-k}) \text{sign}(e_n)$$

$w$  = tap coefficients,  $n$  = time instant,  $k$  = tap index,  $d_n$  = received data,

$e_n$  = error with respect to desired data level,  $dLev$

- As the desired data level is a function of the transmitter swing and channel loss, the desired data level is not necessarily known and should also be adapted

$$dLev_{n+1} = dLev_n - \Delta_{dLev} \text{sign}(e_n)$$





# Agenda

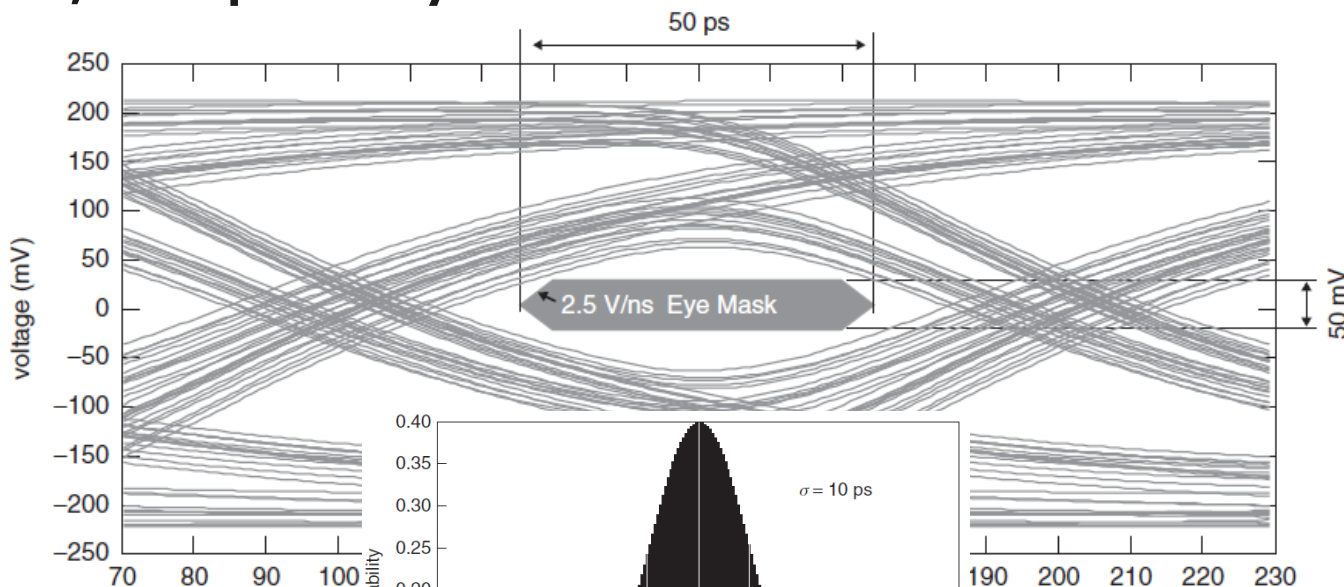
---

- Receiver Model
- Bit-Error Rate
- Sensitivity
- Personick Integrals
- Power Penalties
- Bandwidth
- Equalization
- Jitter
- Forward Error Correction

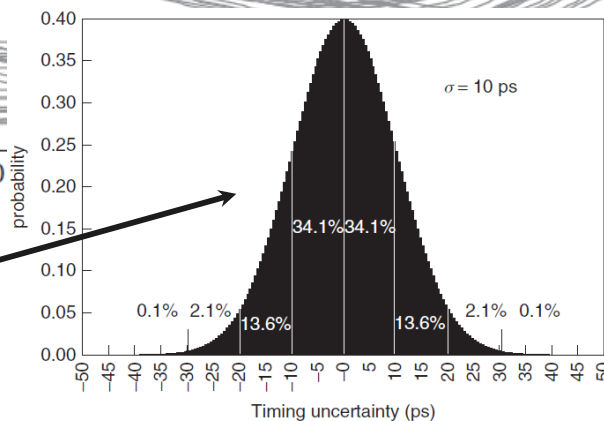
# Eye Diagram and Spec Mask

- Links must have margin in both the voltage AND timing domain for proper operation
- For independent design (interoperability) of TX and RX, a spec eye mask is used

**Eye at RX sampler**

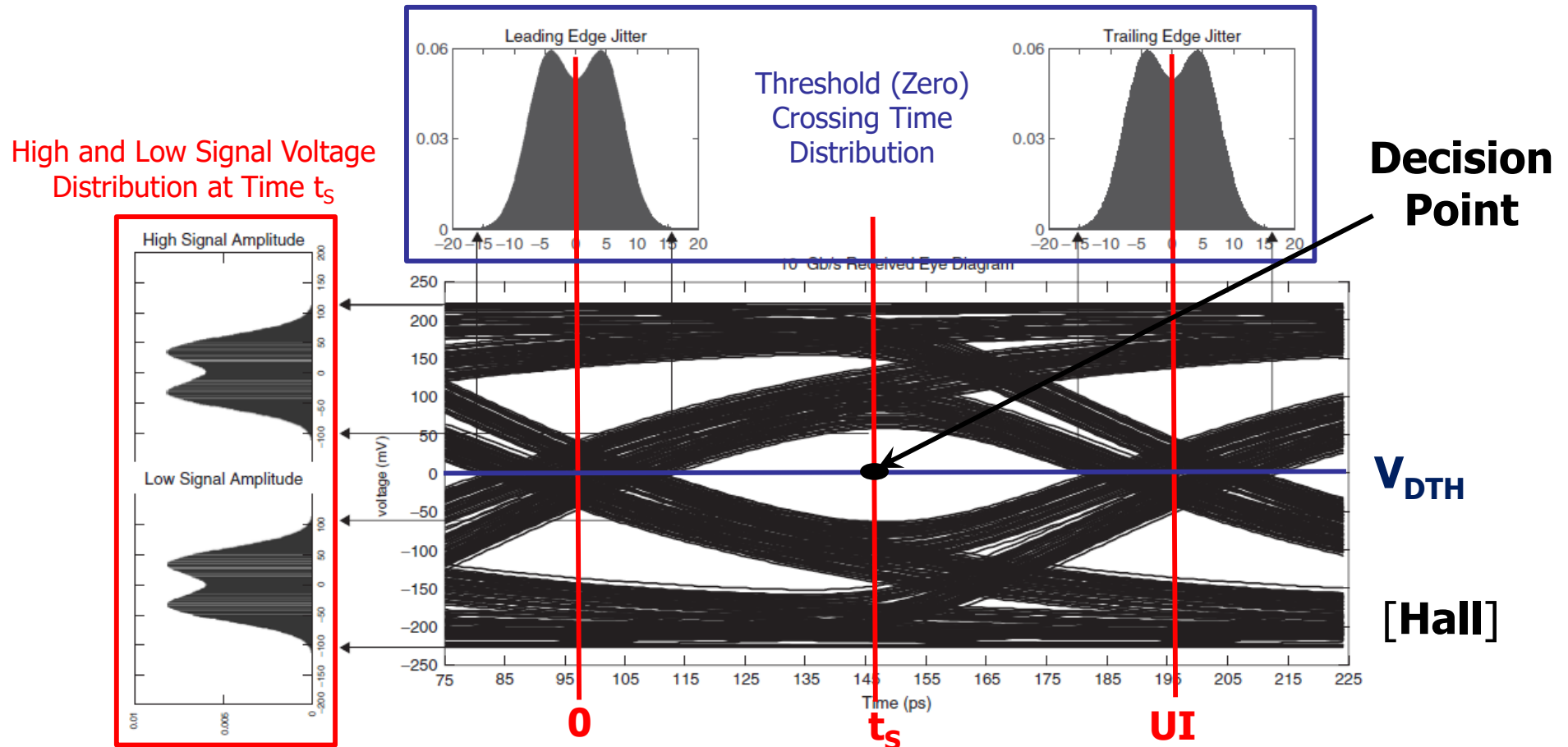


**RX clock timing noise or jitter (random noise only here)**



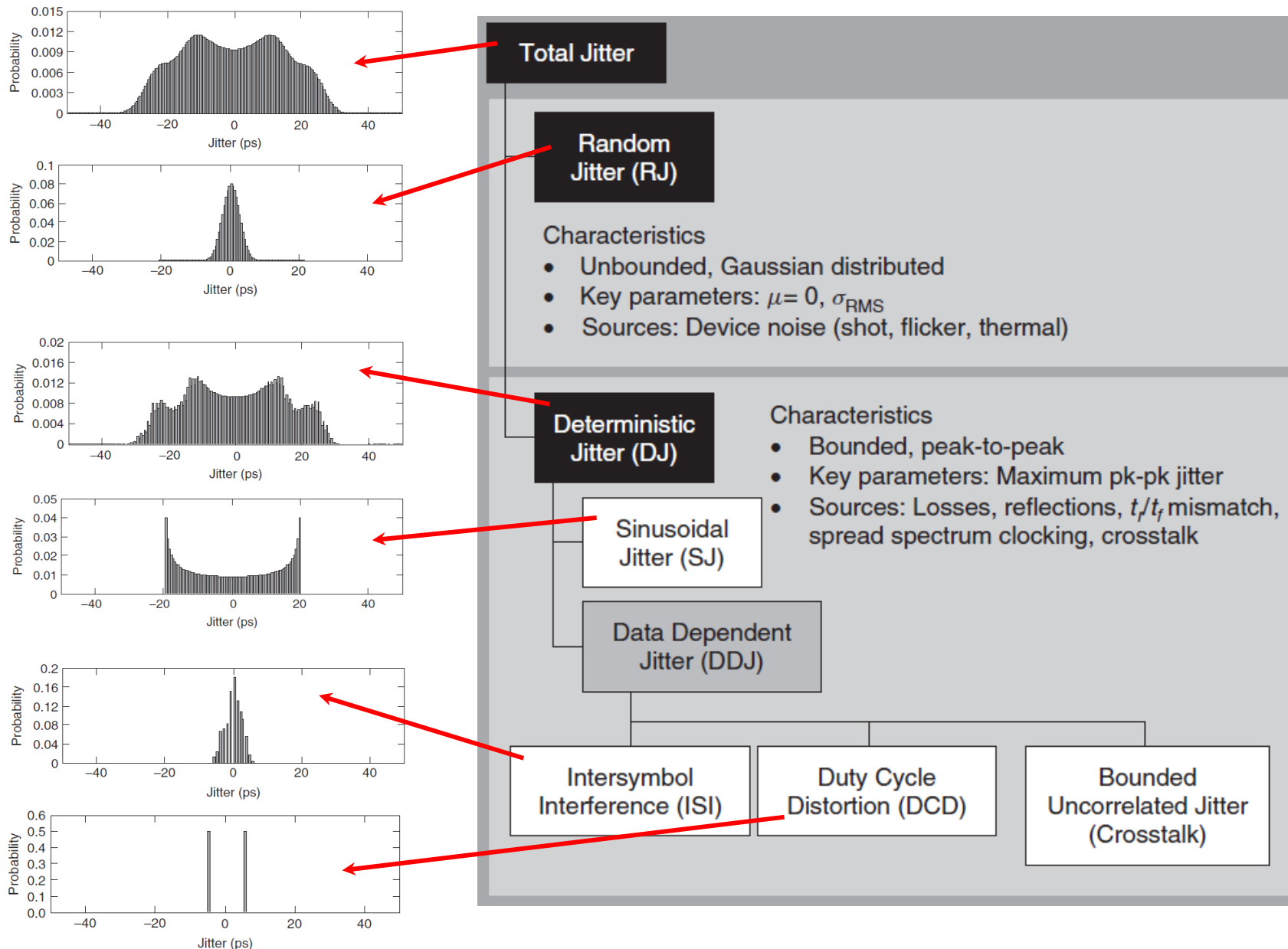
**[Hall]**

# Jitter Histogram



- Used to extract the jitter PDF
- Consists of both deterministic and random components
  - Need to decompose these components to accurately estimate jitter at a given BER

# Jitter Categories



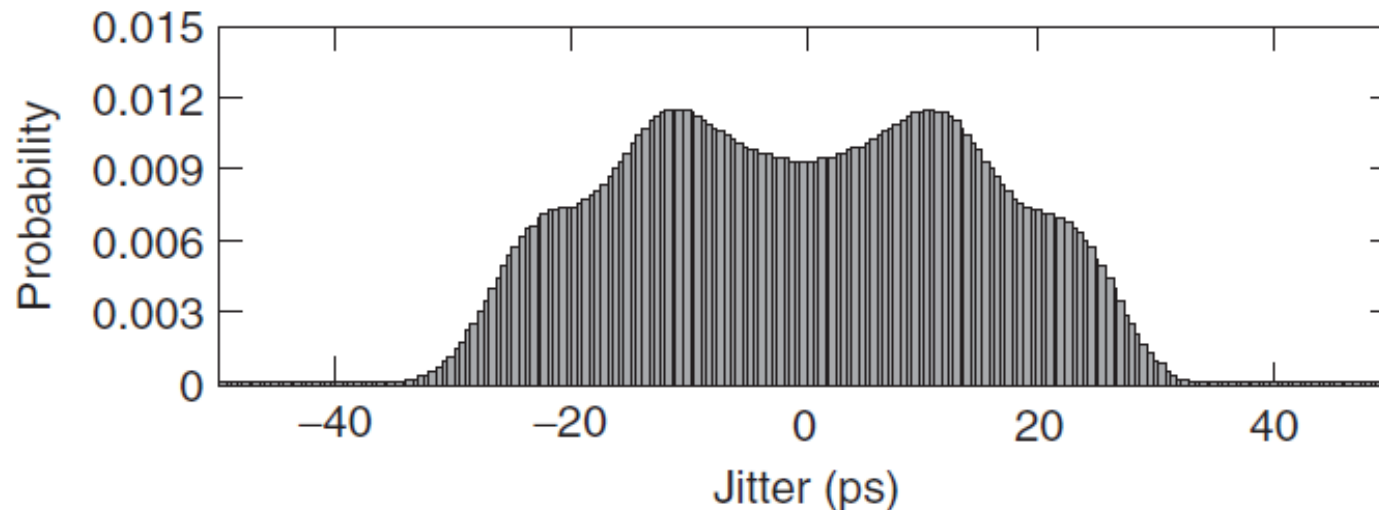
# Total Jitter (TJ)

---

- The total jitter PDF is produced by convolving the random and deterministic jitter PDFs

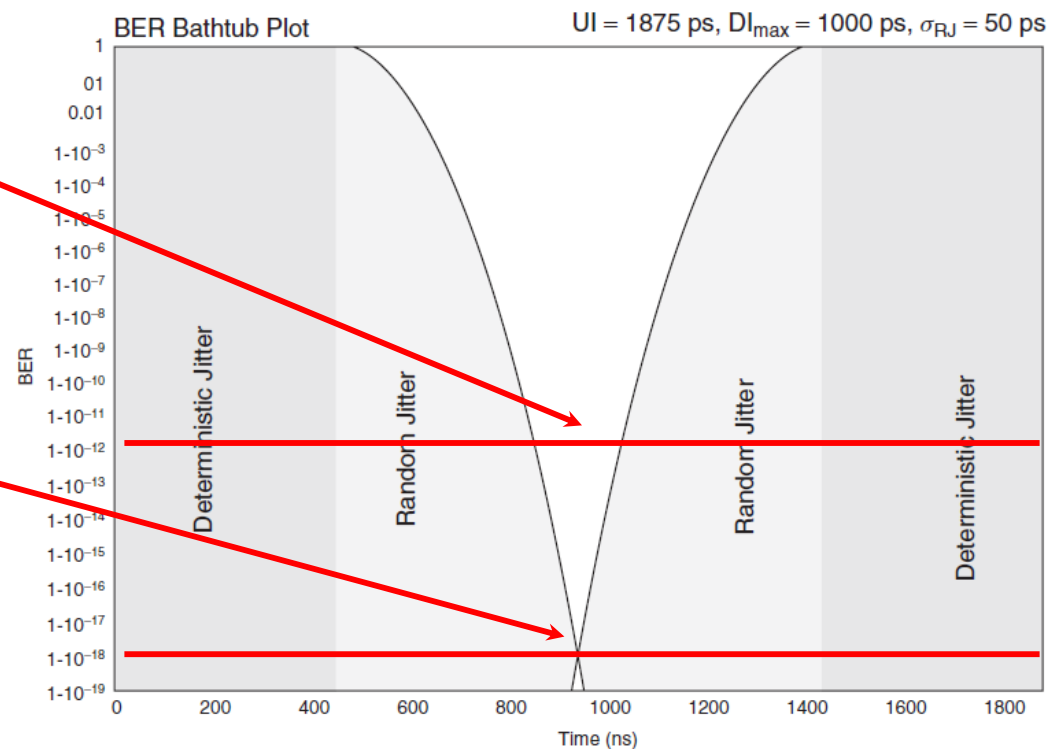
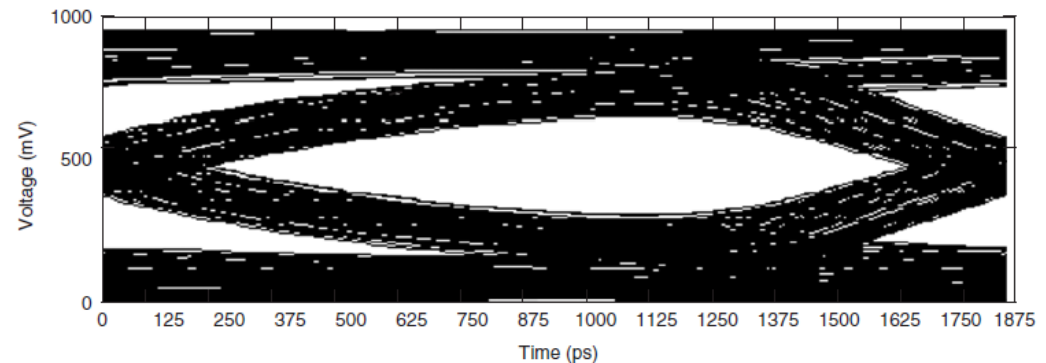
$$PDF_{JT}(t) = PDF_{RJ}(t) * PDF_{DJ}(t)$$

where  $PDF_{DJ}(t) = PDF_{SJ}(t) * PDF_{DCD}(t) * PDF_{ISI}(t) * PDF_{BUJ}(t)$



# Jitter and Bit Error Rate

- Jitter consists of both deterministic and **random** components
- Total jitter must be quoted at a given BER
  - At  $BER=10^{-12}$ , jitter  $\sim 1675ps$  and eye width margin  $\sim 200ps$
  - System can potentially achieve  $BER=10^{-18}$  before being jitter limited



# System Jitter Budget

---

- For a system to achieve a minimum BER performance

$$UI \geq DJ_{\delta\delta}(sys) + 2Q\sigma_{RMS}(sys)$$

- The convolution of the individual deterministic jitter components is approximated by linear addition of the terms

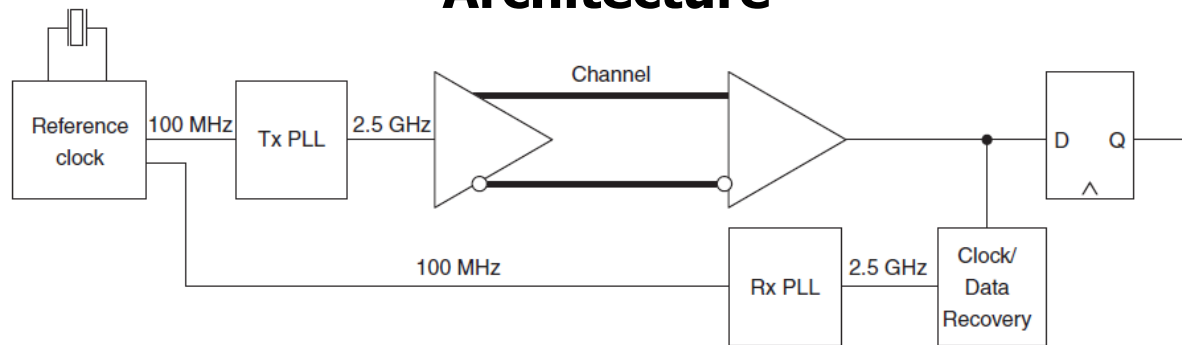
$$DJ_{\delta\delta}(sys) = \sum_i DJ_{\delta\delta}(i)$$

- The convolution of the individual random jitter components results in a root-sum-of-squares system rms value

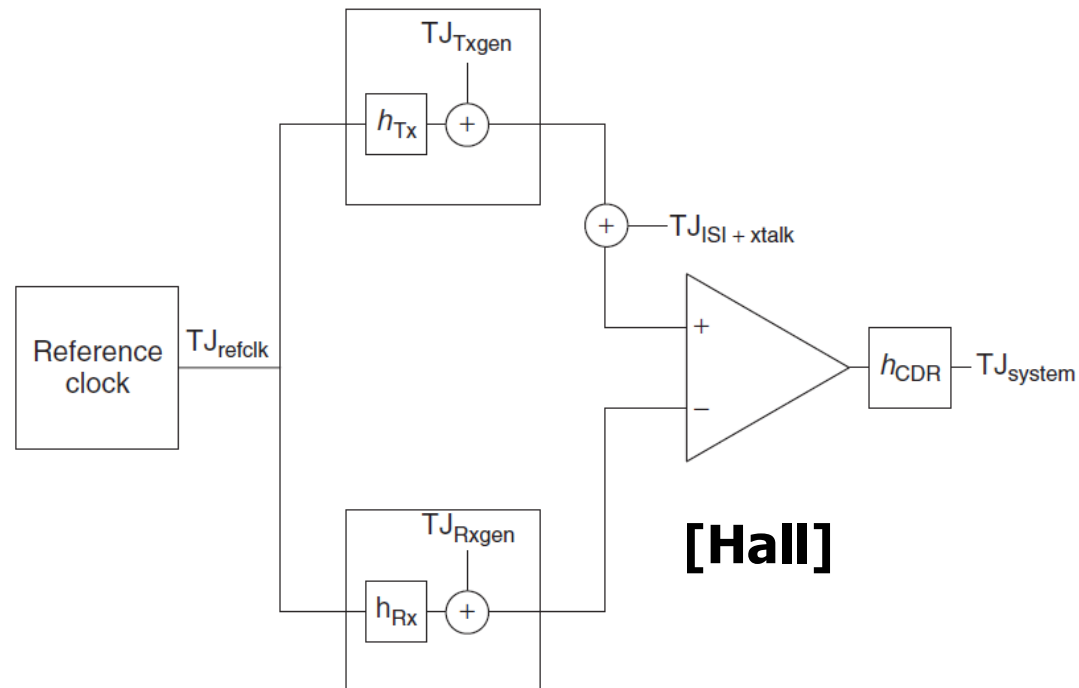
$$\sigma_{RMS}(sys) = \sqrt{\sum_i \sigma_{RMS}^2(i)}$$

# Jitter Budget Example – PCI Express System

## Architecture



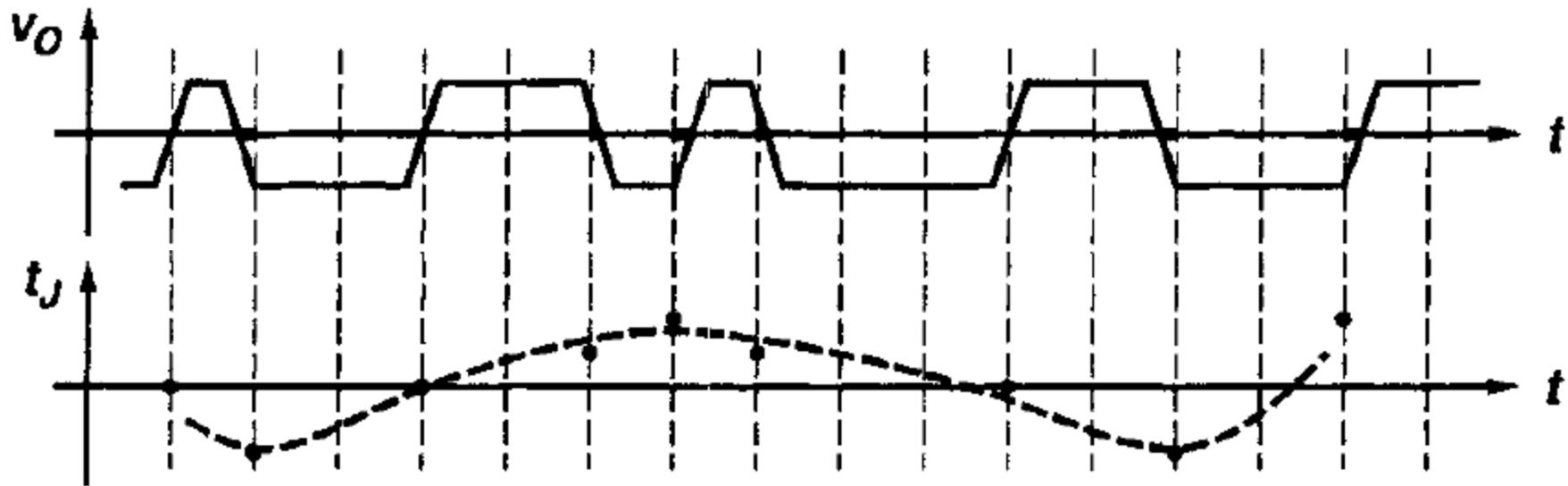
## Jitter Model





# Jitter Frequency Content

---



$$\text{Time Interval Error } TIE(i) = \frac{\varphi_n(iT_c)}{2\pi f_c}$$

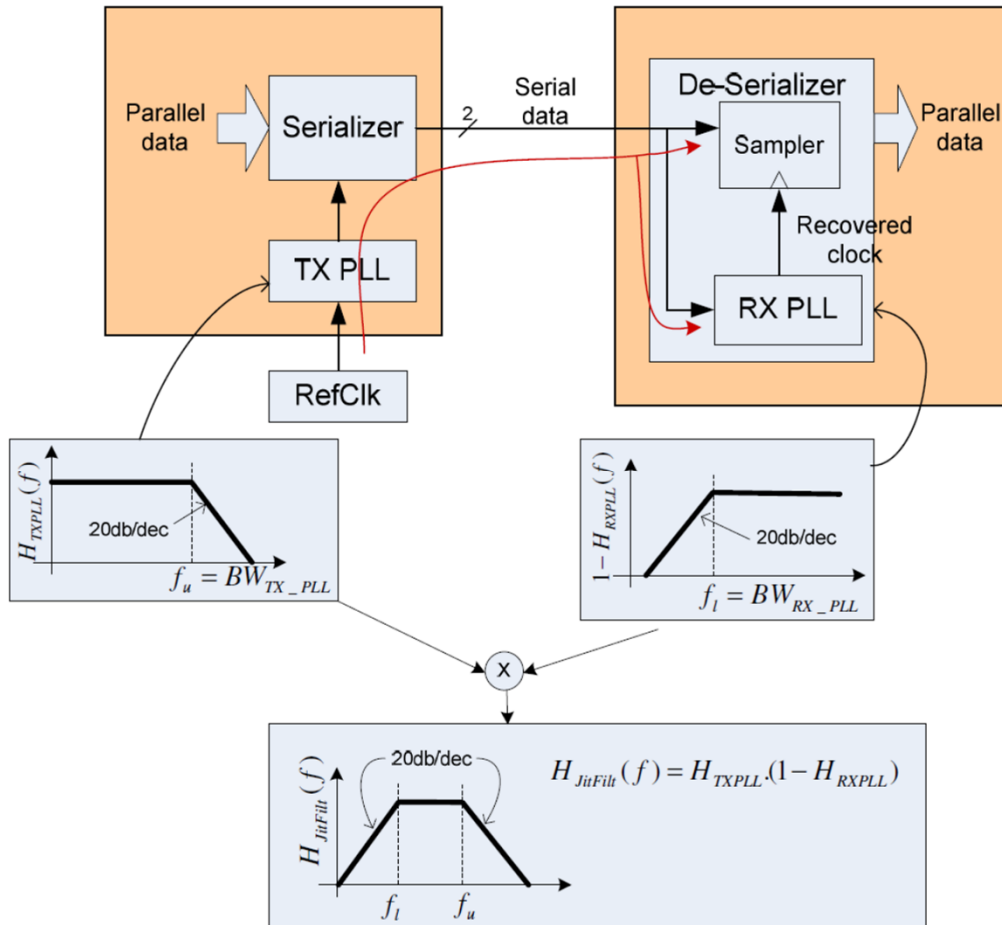
where  $T_c = \frac{1}{f_c}$  is the ideal bit/clock period.

$$PN(f) = 20 \log_{10}(2\pi f_c \cdot F\{TIE\})$$

# System Jitter Filtering

- Jitter sources get shaped/filtered differently depending where they are in the clocking system

## CDR (Embedded Clocking) System



- Reference clock jitter gets low-pass filtered by the TX PLL and high-pass filtered by the RX PLL/CDR when we consider the phase error between the sample clock and incoming data

$$\text{Filtered RMS Jitter} = \sqrt{2 \int_{f_1}^{f_2} |F\{TIE\}|^2 \cdot |H(f)|^2 df}$$

# Jitter Budget Example – PCI Express System

$$DJ_{\delta\delta}(sys) = DJ_{\delta\delta}(TX) + DJ_{\delta\delta}(channel) + DJ_{\delta\delta}(RX) + DJ_{\delta\delta}(clock)$$

$$\sigma_{RMS}(sys) = \sqrt{\sigma_{RMS}^2(TX) + \sigma_{RMS}^2(channel) + \sigma_{RMS}^2(RX) + \sigma_{RMS}^2(clock)}$$

**TABLE 13-2. PCI Express 2.5-Gb/s Jitter Budget at  $10^{-12}$  BER**

Component	Term	$\sigma_{RJ}$ (ps)	$DJ_{\delta\delta}$ (ps)	TJ (ps)
Reference clock	$TJ_{clock}$	4.7	41.9	108
Transmitter	$TJ_{TX}$	2.8	60.6	100
Channel	$TJ_{channel}$	0	90	90
Receiver	$TJ_{Rx}$	2.8	120.6	<del>147</del> 160
Linear TJ				458
RSS TJ		<b>6.15 * 14.07 = 86.5</b>	313.1	399.6

**Table 4.1** Numerical relationship between  $Q$  and bit-error rate.

$Q$	$BER$	$Q$	$BER$
0.0	1/2	5.998	$10^{-9}$
3.090	$10^{-3}$	6.361	$10^{-10}$
3.719	$10^{-4}$	6.706	$10^{-11}$
4.265	$10^{-5}$	<b>7.035</b>	$10^{-12}$
4.753	$10^{-6}$	7.349	$10^{-13}$
5.199	$10^{-7}$	7.651	$10^{-14}$
5.612	$10^{-8}$	7.942	$10^{-15}$

**[Hall]**

# Agenda

---

- Receiver Model
- Bit-Error Rate
- Sensitivity
- Personick Integrals
- Power Penalties
- Bandwidth
- Equalization
- Jitter
- Forward Error Correction

# Forward Error Correction

---

- From previous analysis, we found that we need a certain SNR for a given BER
  - w/ NRZ it is  $Q^2$  or  $\sim 17\text{dB}$  for  $\text{BER}=10^{-12}$  (equal noise statistics)
- Can we do better?
- Yes, if we add some redundancy in the bits that we transmit and use this to correct errors at the receiver
- This is called **forward error correction** (FEC)
- Common codes are Reed-Solomon (RS) and Bose-Chaudhuri-Hocquenghem (BCH)

# Shannon's Channel Capacity Theorem

---

- If sufficient coding is employed, error-free transmission over a channel with additive white Gaussian noise is possible for

$$B \leq BW \log_2(1 + SNR)$$

Here  $B$  is the information bit rate, which is lower than the channel bit rate with coding. If we assume ideal Nyquist signaling, we need a minimum channel bandwidth

$$BW = \frac{B}{2r}$$

where  $r$  is the code rate and  $\frac{B}{r}$  is the channel bit rate. Thus, with coding

$$B \leq \frac{B}{2r} \log_2(1 + SNR)$$

$$SNR = 2^{2r} - 1$$

For example, if we have  $r = 0.8$  (which is a 25% data rate overhead) then

$$SNR = 2^{2(0.8)} - 1 = 2.03 = 3.08dB \Rightarrow \text{Much smaller than } 17dB!!$$

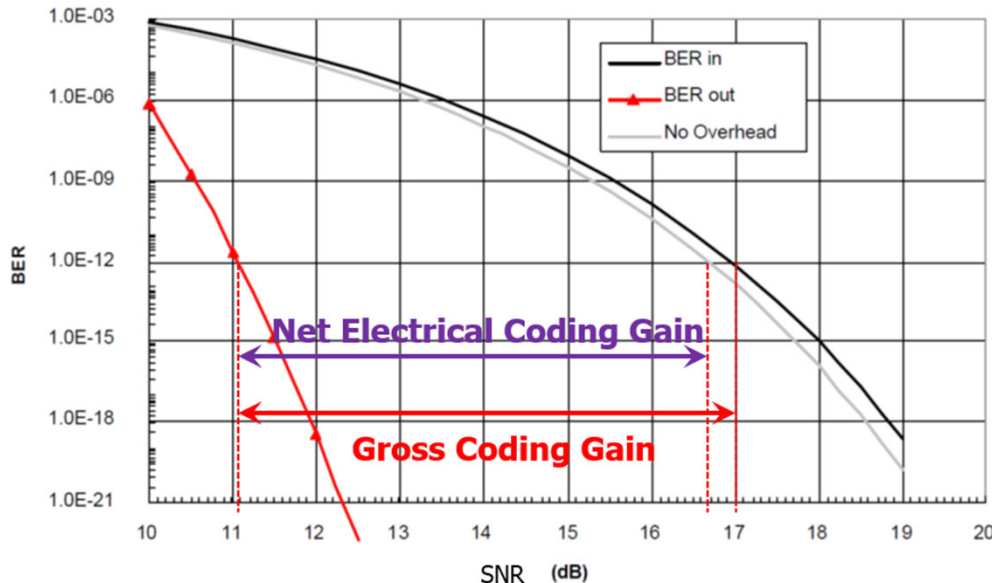
# Reed-Solomon Code Example

---

- Reed-Solomon codes are often used in the Synchronous Optical Networking (SONET) standard
- An important parameter in any error-correcting code is its overhead or redundancy, with a RS(255,239) code having  $n=255$  symbols/codeword, but only  $k=239$  information symbols (although 1 is used for framing and isn't considered in the data payload)
  - The overhead is  $255/(239-1)=1.071$  or 7.1%
  - This is equivalent to  $r=238/255=0.933$
- A RS( $n,k$ ) code can correct for  $(n-k)/2$  symbol errors in a codeword
  - RS(255,239) can correct for 8 symbols/codeword

# Coding Gain

BER vs SNR for R-S 255 Code (t = 8)



At BER =  $10^{-12}$   
 Gross Coding Gain  $\sim 5.9$ dB  
 Net Electrical Coding Gain  $\sim 5.6$ dB

$$\text{Gross Coding Gain at the desired BER} = \frac{SNR_{out}}{SNR_{in}} = \frac{Q_{out}^2}{Q_{in}^2}$$

However, for a fairer comparison we should consider the  $\frac{1}{r}$  increase

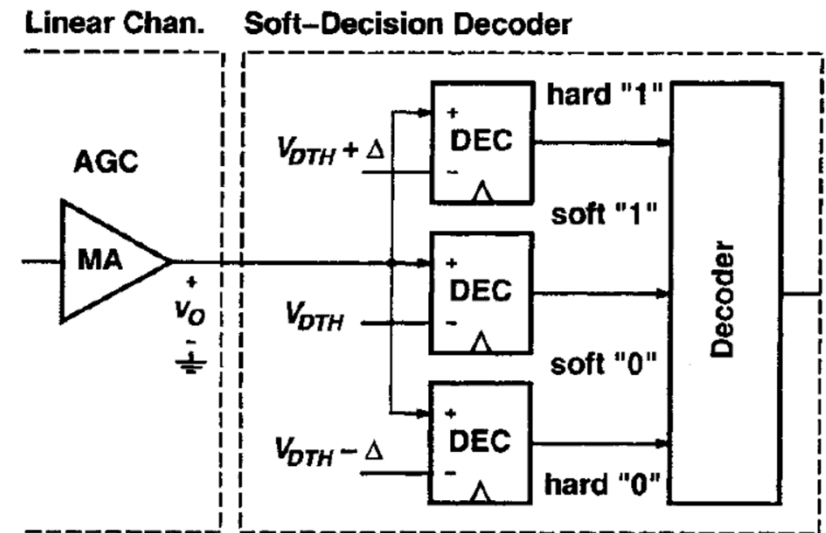
in bandwidth necessary for the code, which will yield  $\frac{1}{\sqrt{r}}$  more noise.

$$\text{Net Electrical Coding Gain (NECG)} = r \cdot \frac{Q_{out}^2}{Q_{in}^2}$$



# Soft-Decision Decoding

- So far we have talked about codes which use binary “hard-decisions”
- Superior performance ( $\sim 2\text{dB}$ ) occurs if we use more “analog” information in the form of “soft-decisions”
- Soft decisions are utilized in turbo codes and low-density parity check codes (LDPC)
- In an NRZ system, soft decisions can be realized with 2 additional comparators with some  $\Delta$  offset or with an ADC front-end
- An AGC loop may be necessary to maintain required linearity



# Next Time

---

- Transimpedance Amplifier (TIA) Circuits