

ECEN474: (Analog) VLSI Circuit Design

Fall 2010

Lecture 27: Transimpedance Amplifiers (TIAs)



Sam Palermo

Analog & Mixed-Signal Center

Texas A&M University

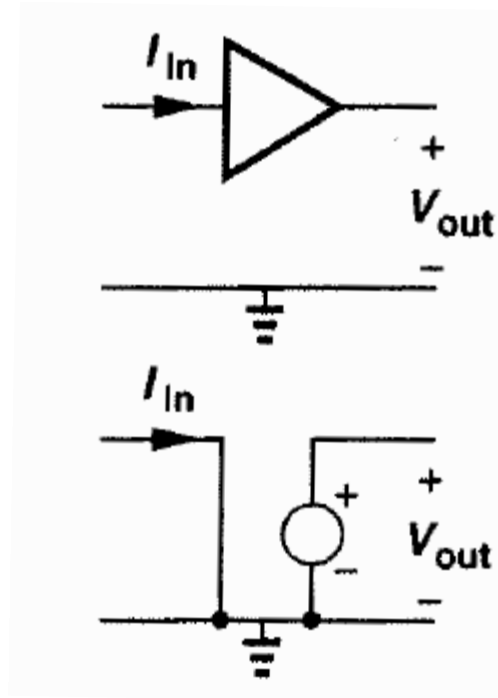
Announcements

- Project
 - Preliminary report due now
 - Final report due Dec 7
- Exam 3 on Dec 3
 - Reference exams posted this weekend

Agenda

- Transimpedance Amplifiers
 - Common-Gate TIAs
 - Feedback TIAs
- Material is related primarily to Project #6

Transimpedance Amplifier (TIA)

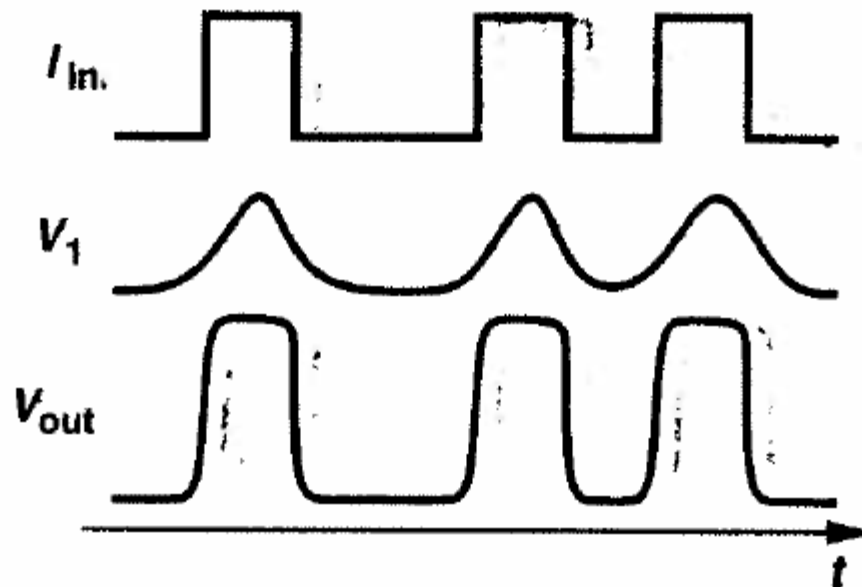
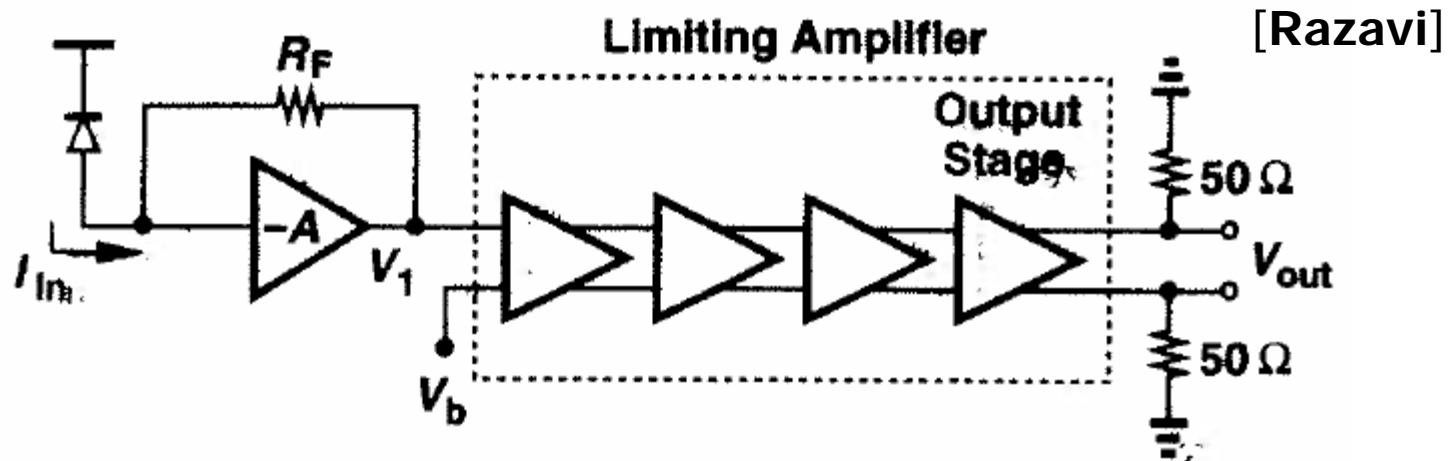


[Razavi]

$$\text{Transimpedance } Z_T = \frac{v_{out}}{i_{in}} \quad (\Omega)$$

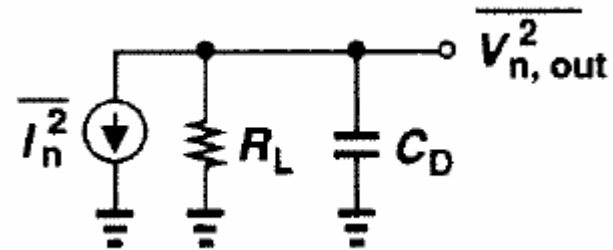
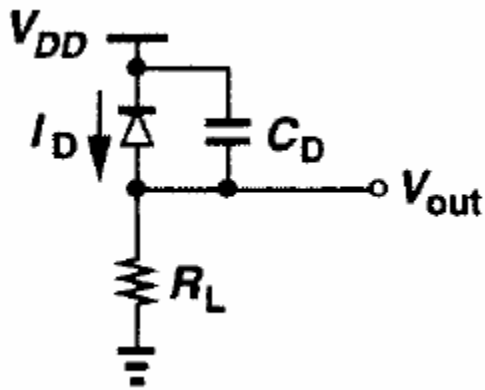
Also expressed in units of $\text{dB}\Omega$ for $20\log(|Z_T|)$

Optical Receiver Front-End



Resistive Front-End

[Razavi]



$$\overline{V_{n,out}^2} = \int_0^{\infty} \overline{I_n^2} Z_T^2 df = \int_0^{\infty} \frac{4kT}{R_L} \left(\frac{R}{1 + j2\pi fRC} \right)^2 df = \frac{kT}{C_D}$$

$$R_T = R_{in} = R_L$$

$$BW_{3dB} = \omega_p = \frac{1}{R_{in} C_D} = \frac{1}{R_L C_D}$$

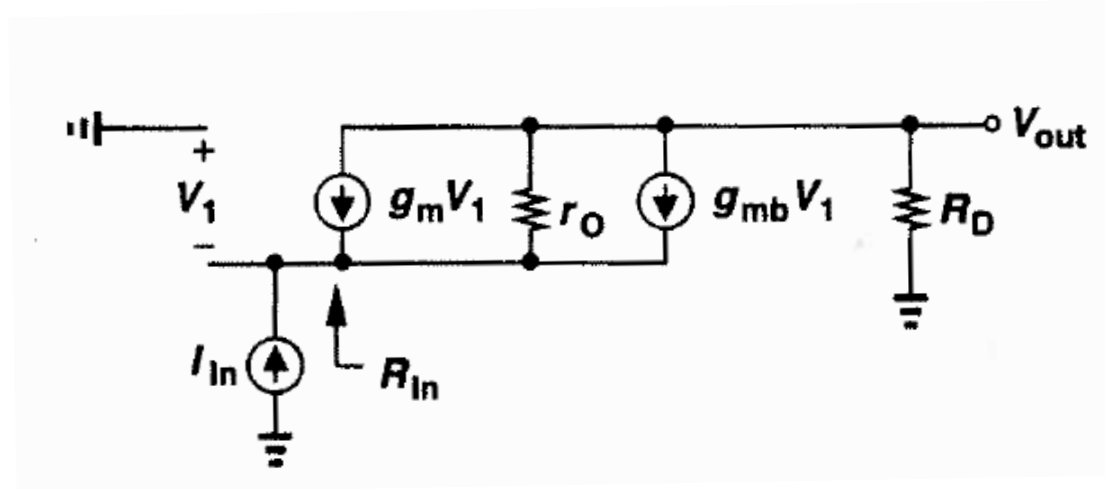
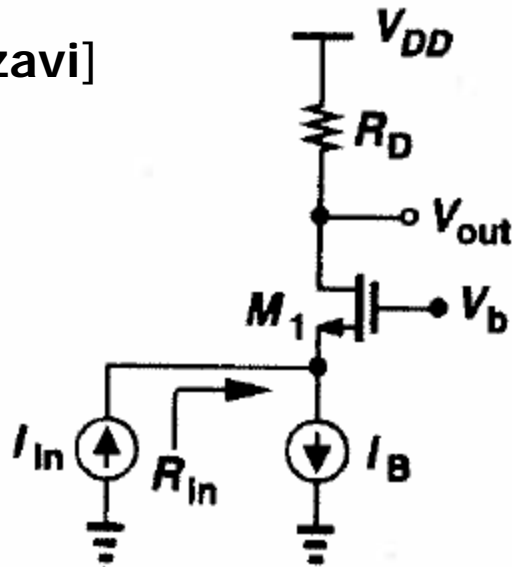
$$\overline{I_{n,in}^2} = \frac{\overline{V_{n,out}^2}}{R_L^2} = \frac{kT}{R_L^2 C_D}$$

$$I_{n,in,rms} = \frac{\sqrt{KT/C_D}}{R_L}$$

- Direct trade-offs between transimpedance, bandwidth, and noise performance

Common-Gate TIA

[Razavi]

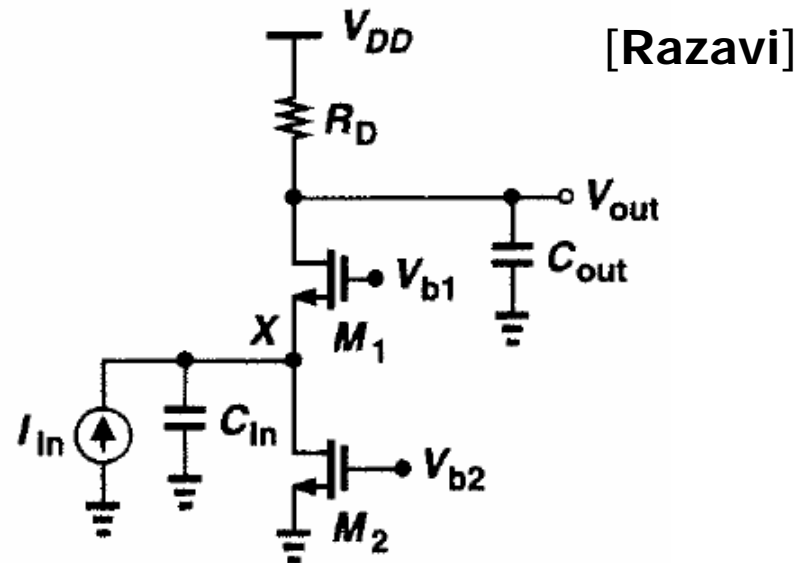


$$R_T = R_D$$

$$R_{in} = \frac{r_o + R_D}{1 + (g_m + g_{mb})r_o} \approx \frac{1}{g_m}$$

- Input resistance (input bandwidth) and transimpedance are decoupled

Common-Gate TIA Frequency Response



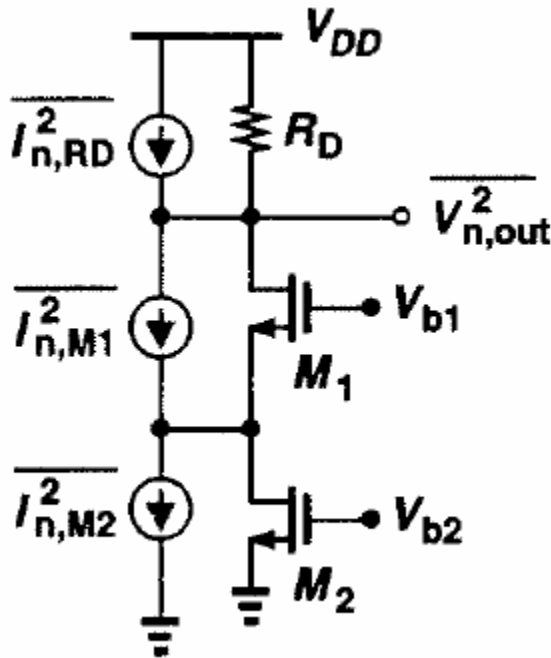
Neglecting transistor r_o :

$$\frac{v_{out}}{i_{in}} = \frac{R_D}{\left(1 + s \frac{C_{in}}{g_{m1} + g_{mb1}}\right) (1 + s R_D C_{out})}$$

- Often the input pole may dominate due to large photodiode capacitance (100 – 500fF)

Common-Gate TIA Noise

[Razavi]



Neglecting transistor r_o :

$$\overline{V_{n,out}^2} = \left(\overline{I_{n,M2}^2} + \overline{I_{n,RD}^2} \right) R_D^2 = 4kT \left(\frac{2}{3} g_{m2} + \frac{1}{R_D} \right) R_D^2 \quad \left(\frac{V^2}{\text{Hz}} \right)$$

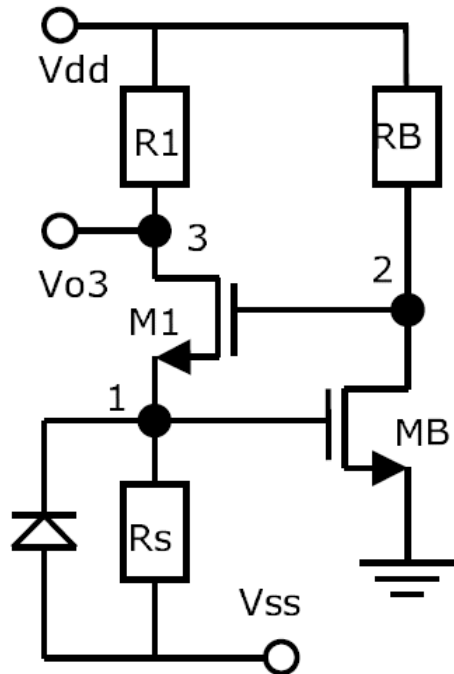
$$\overline{I_{n,in}^2} = 4kT \left(\frac{2}{3} g_{m2} + \frac{1}{R_D} \right) \quad \left(\frac{A^2}{\text{Hz}} \right)$$

- Both the bias current source and R_D contribute to the input noise current
- R_D can be increased to reduce noise, but voltage headroom can limit this
- Common-gate TIAs are generally not for low-noise applications
- However, they are relatively simple to design with high stability

Regulated Cascode (RGC) TIA

A packaged low-noise high-speed regulated cascode transimpedance amplifier
using a 0.6 μm N-well CMOS technology

Sung Min Park and C. Toumazou



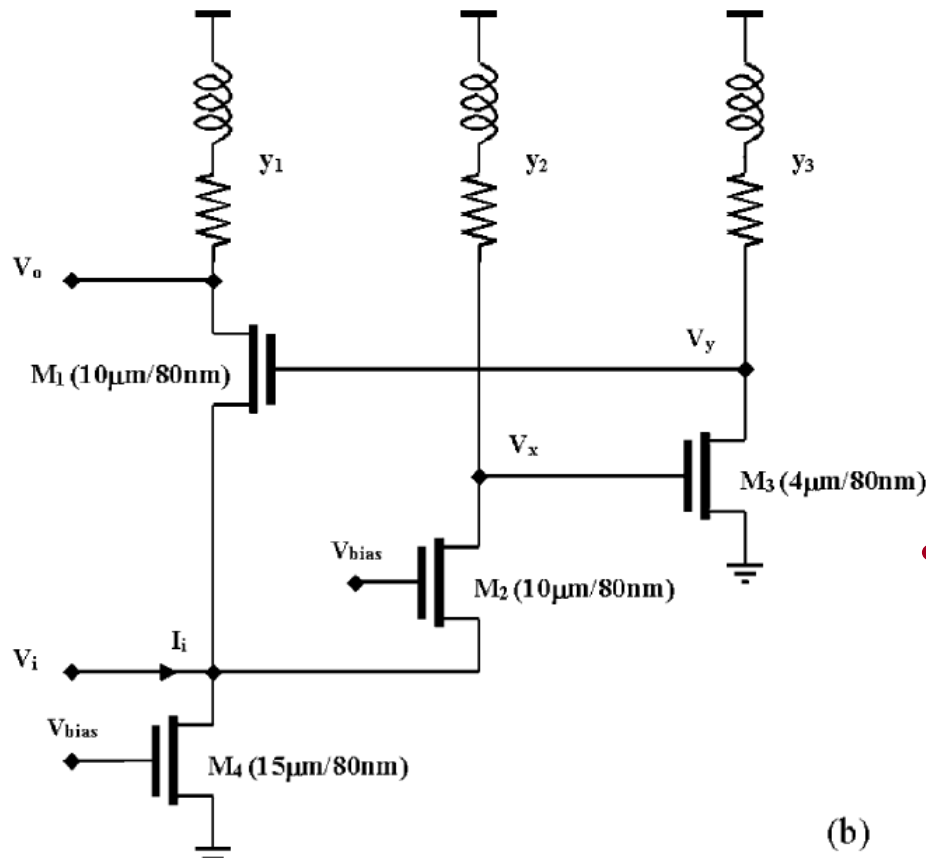
$$Z_{in}(0) \cong \frac{1}{g_{m1}(1 + g_{mB}R_B)}$$

Figure 1. Schematic diagram of the regulated cascode (RGC) input stage

CMOS 20GHz TIA

A Low-Power 20-GHz 52-dBΩ Transimpedance Amplifier in 80-nm CMOS

Christian Kromer, *Member, IEEE*, Gion Sialm, Thomas Morf, *Member, IEEE*, Martin L. Schmatz, *Member, IEEE*, Frank Ellinger, *Member, IEEE*, Daniel Erni, *Member, IEEE*, and Heinz Jäckel, *Member, IEEE*



$$Z_i \approx \frac{1}{g_{m1} (1 + |A_2 A_3|) + j\omega C_{i,tot}}$$

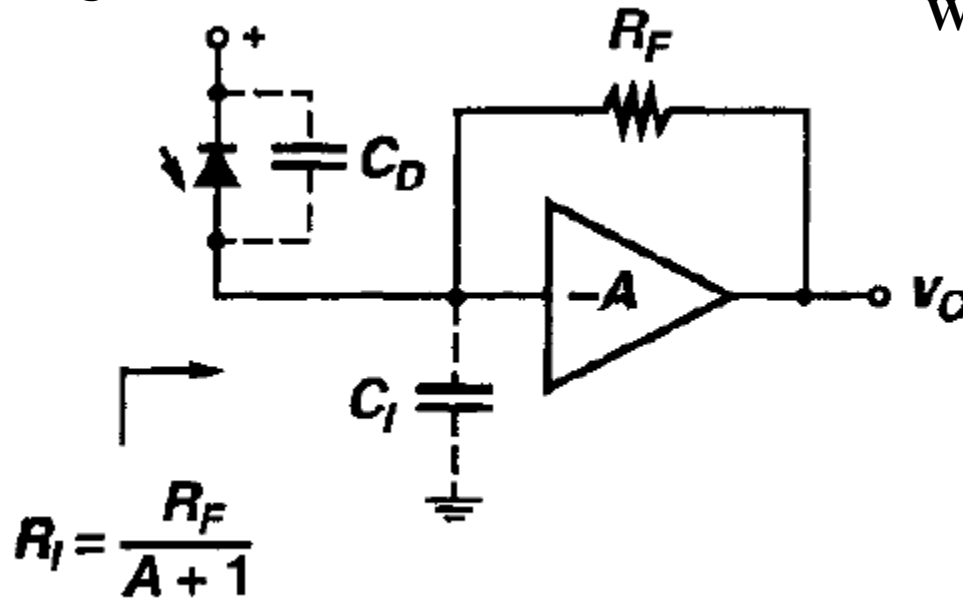
$$A_2 = g_{m2} R_2 \quad A_3 = -g_{m3} R_3$$

- Inductors provide bandwidth extension at zero power cost, but very large area cost

(b)

Feedback TIA w/ Ideal Amplifier

[Sackinger]



With Infinite Bandwidth Amplifier :

$$Z_T(s) = -R_T \left(\frac{1}{1 + s/\omega_p} \right)$$

$$R_T = \frac{A}{A+1} R_F$$

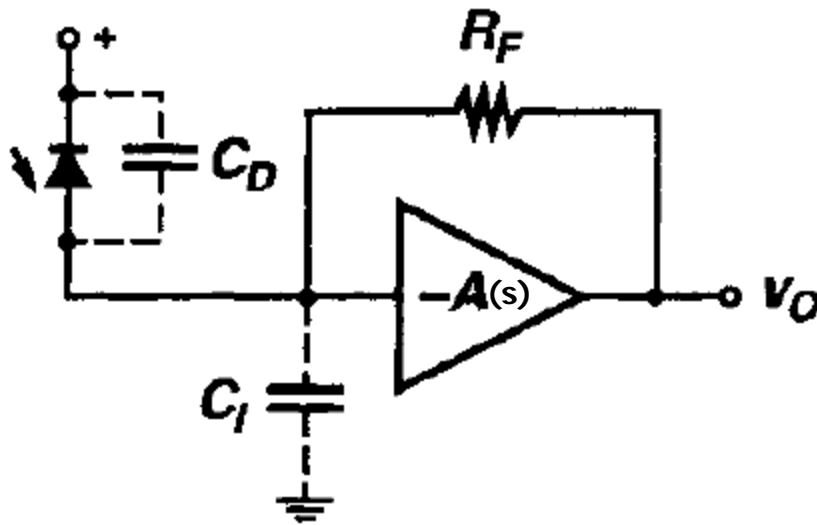
$$R_{in} = \frac{R_F}{A+1}$$

$$\omega_p = \frac{1}{R_{in} C_T} = \frac{A+1}{R_F (C_D + C_I)}$$

- Input bandwidth is extended by the factor $A+1$
- Transimpedance is approximately R_F
- Can make R_F large without worrying about voltage headroom considerations

Feedback TIA w/ Finite Amplifier Bandwidth

[Sackinger]



With Finite Bandwidth Amplifier :

$$A(s) = \frac{A}{1 + \frac{s}{\omega_A}} = \frac{A}{1 + sT_A}$$

$$Z_T(s) = -R_T \left(\frac{1}{1 + s/(\omega_o Q) + s^2/\omega_o^2} \right)$$

$$R_T = \frac{A}{A+1} R_F$$

$$\omega_o = \sqrt{\frac{A+1}{R_F C_T T_A}}$$

$$Q = \frac{\sqrt{(A+1)R_F C_T T_A}}{R_F C_T + T_A}$$

$$R_{in} = \frac{R_F}{A+1}$$

Next Time

- Feedback TIA Examples
- Multi-Stage (Limiting) Amplifiers
- Bandgap References
- Distortion