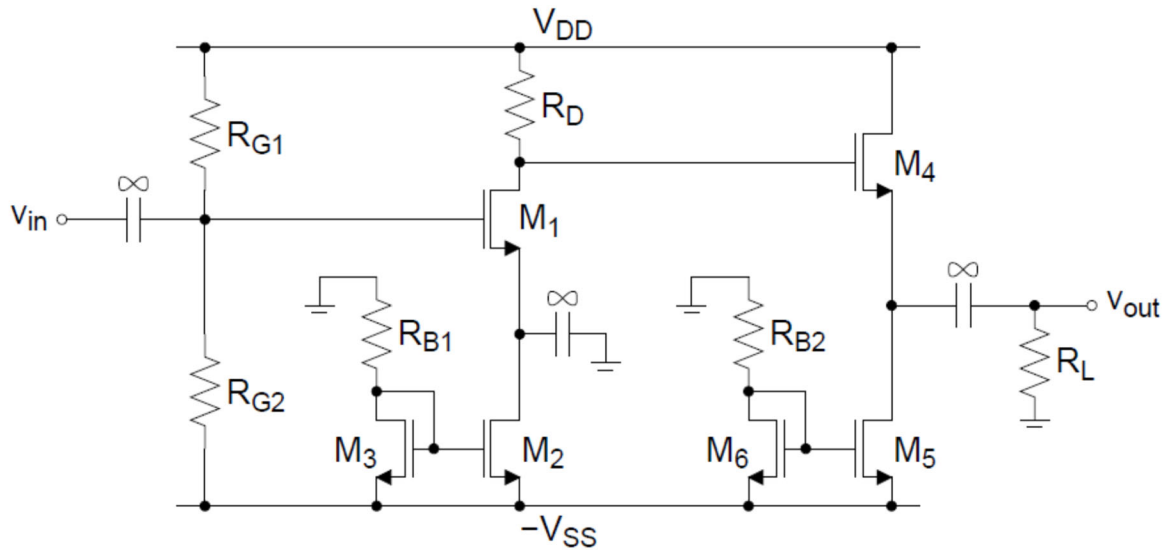


ECEN 326 Lab 3

Design of a Two-Stage MOSFET Amplifier

Updated Specifications

Design a common-source MOSFET amplifier with a source follower using the following specifications:



- $V_{DD} = V_{SS} = 5V$
- $|A_v| \geq | -30 |$
- $I_{supply} \leq 1.5mA$
- $R_L = 5k\Omega$
- $R_{in} \geq 100k\Omega$
- **$v_{o,max} = 1.5V_{pk}$ with harmonic distortion below 5% (-26.0dB)**
- Nominal operating frequency = 5kHz

Do the Lab Procedure mentioned in the original lab document with the above modified specifications.