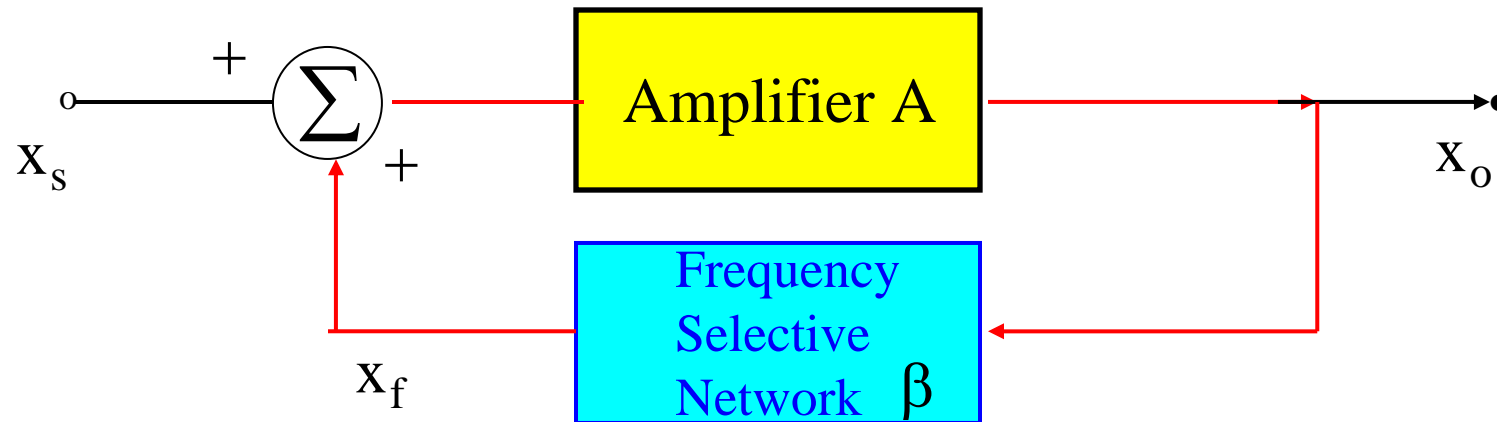


OSCILLATORS

Fundamentals. **Linear Aspects:** Oscillation conditions.



$$A_f = \frac{x_o}{x_s} = \frac{A}{1 - \beta A} = \frac{A(s)}{1 - \beta(s) A(s)}$$

$$D(s) = 1 - \beta(s) A(s) = 1 - L(s)$$

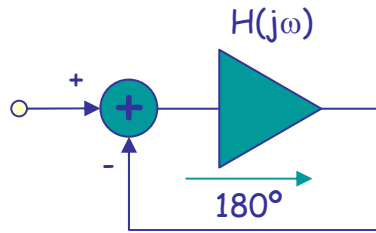
$$L(j\omega_o) \triangleq A(j\omega_o) \beta(j\omega_o) = 1 \quad \text{Barkhausen Criteria}$$

Note that for the circuit to oscillate at one frequency the oscillation criterion should be satisfied at one frequency only; otherwise the resulting waveform will not be a simple sinusoid.

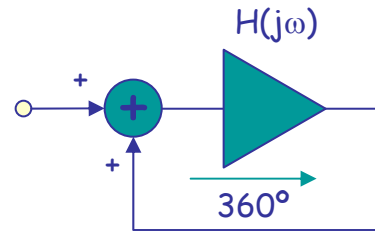
Ring Oscillators

- The main difficulty for using submicron CMOS ring oscillators in wireless communication systems is their relatively poor phase noise response.
- Precaution is required to achieve as low phase noise as possible from CMOS ring oscillators.
 - Dominant noise sources in IC environment are common-mode signals in nature (e.g. power supply noise, substrate-coupled noise).
 - Fully differential design is a must!

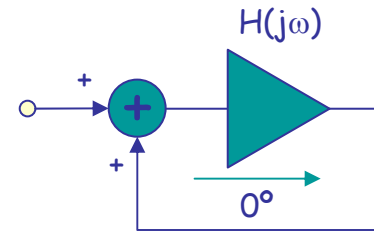
Ring Oscillators



(a)

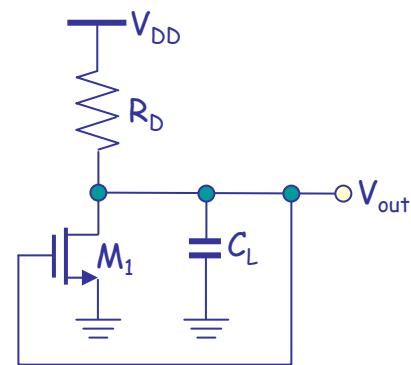


(b)

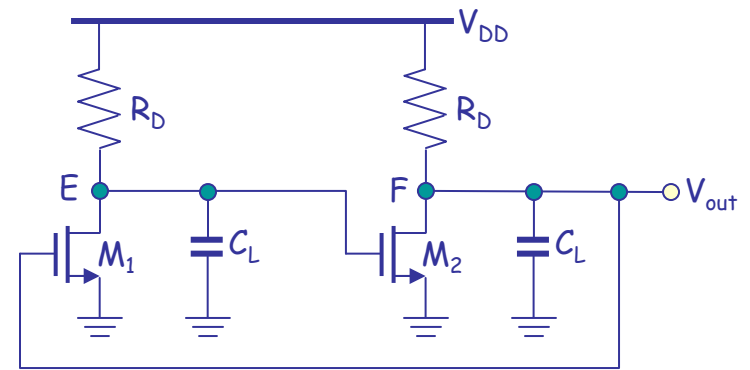


(c)

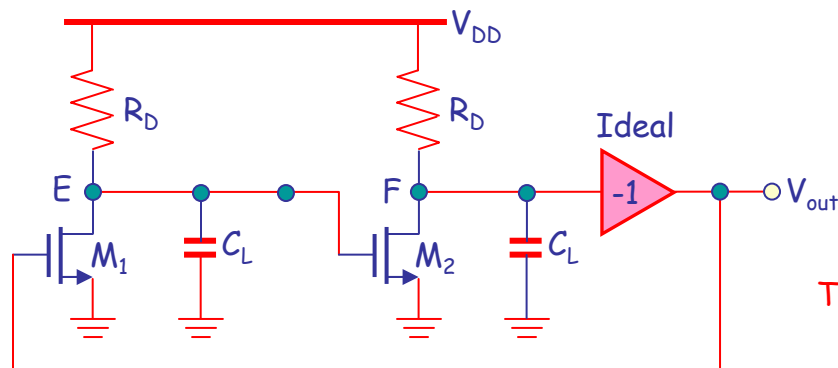
Various views of oscillatory feedback system.



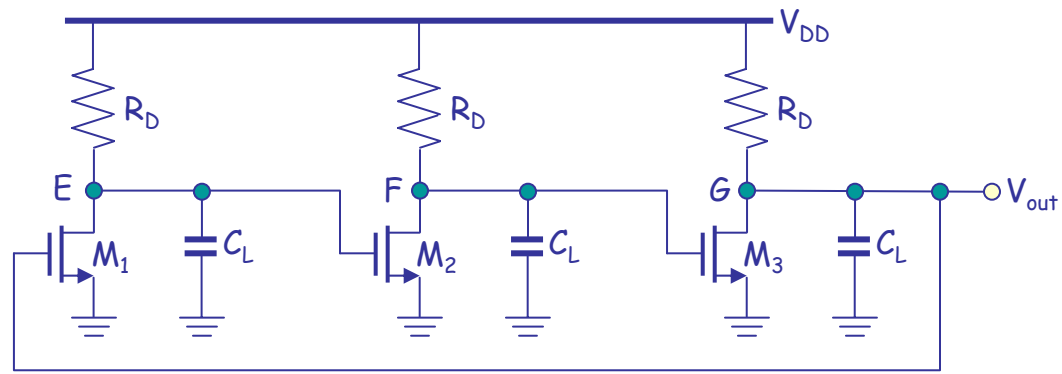
One-pole feedback



Two-pole feedback system



Two-pole feedback system plus an inverter



Three-stage ring oscillator

$$H(s) = -\frac{A_0^3}{\left(1 + \frac{s}{\omega_0}\right)^3}$$

$$\omega_{osc} = \sqrt{3}\omega_0$$

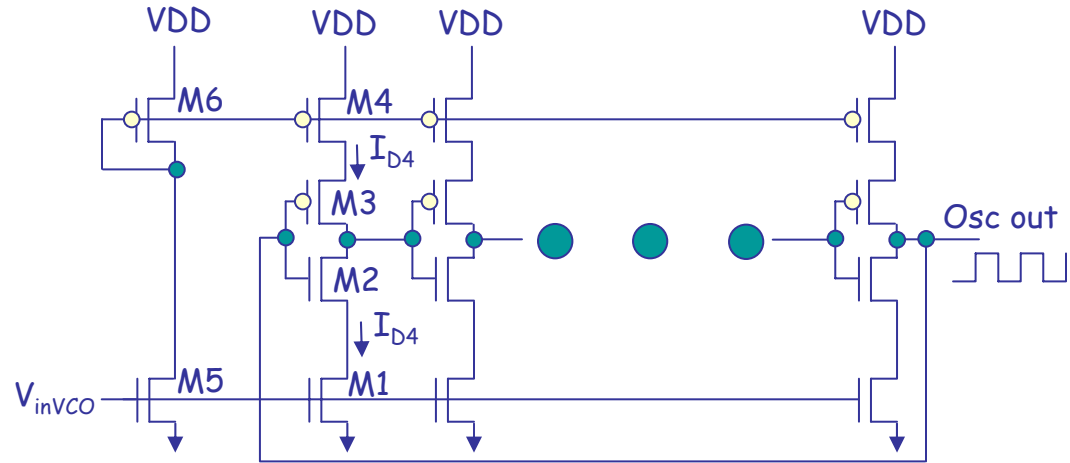
$$\tan^{-1} \frac{\omega_{osc}}{\omega_0} = 60^\circ$$

$$\frac{V_{out}(s)}{V_{in}(s)} = \frac{-A_0^3}{1 + \frac{A_0^3}{\left(1 + s/\omega_0\right)^3}} = \frac{-A_0^3}{\left(1 + s/\omega_0\right)^3 + A_0^3}$$

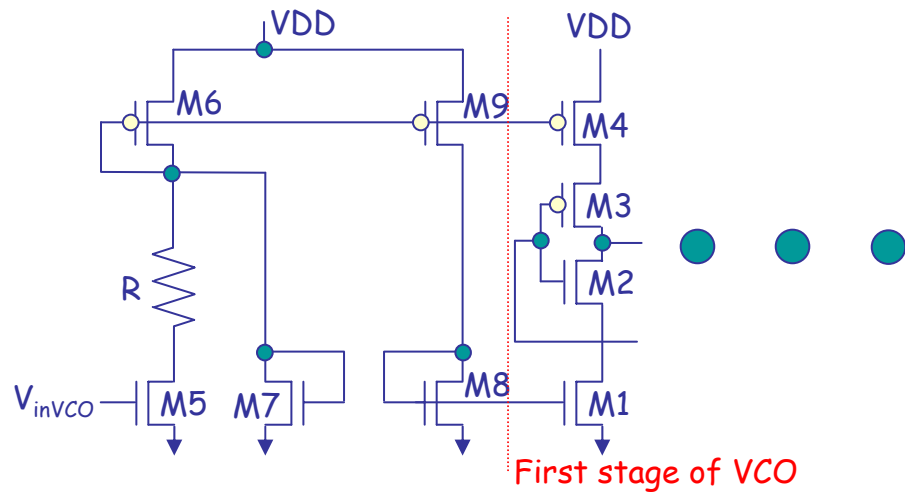
$$\frac{A_0^3}{\left[\sqrt{1 + \left(\frac{\omega_{osc}}{\omega_0}\right)^2}\right]^3} = 1$$

$$A_0 = 2$$

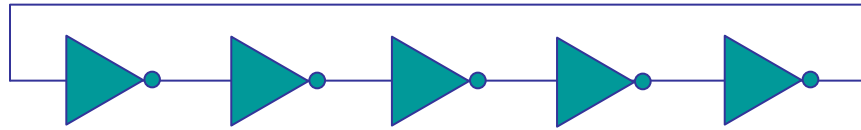
Single-ended Inverters (delay elements)



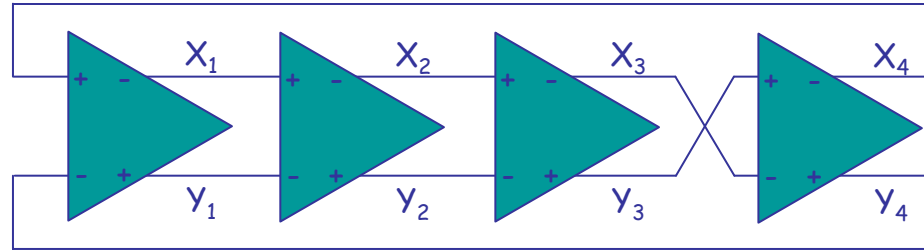
Current - starved VCO.



Modifications to the current-starved VCO to set minimum and maximum frequencies.

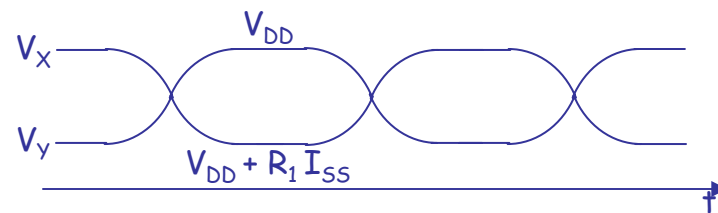
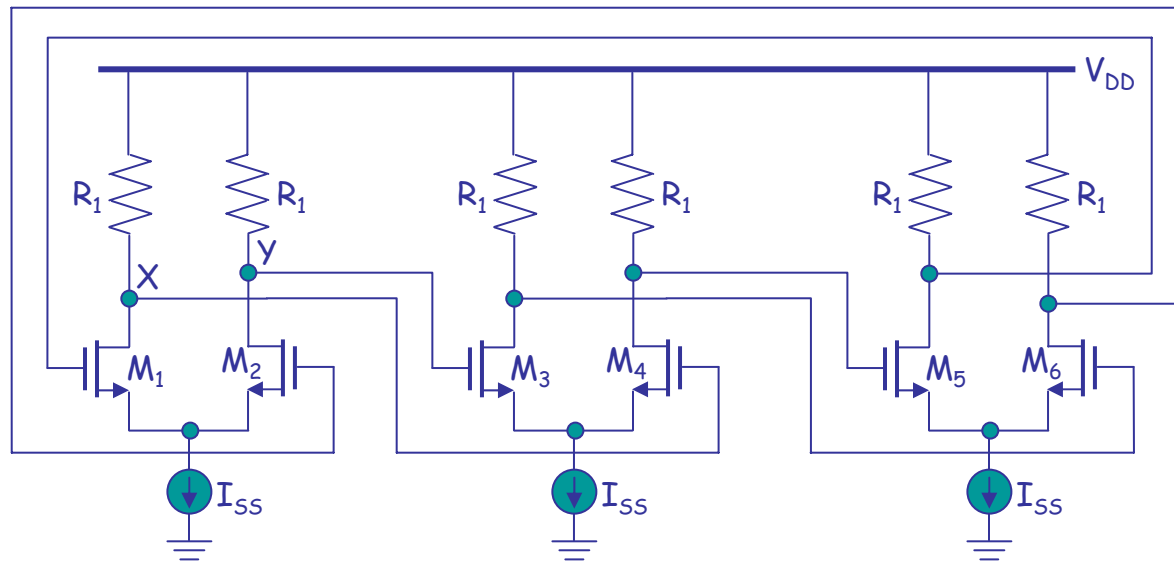


(a)

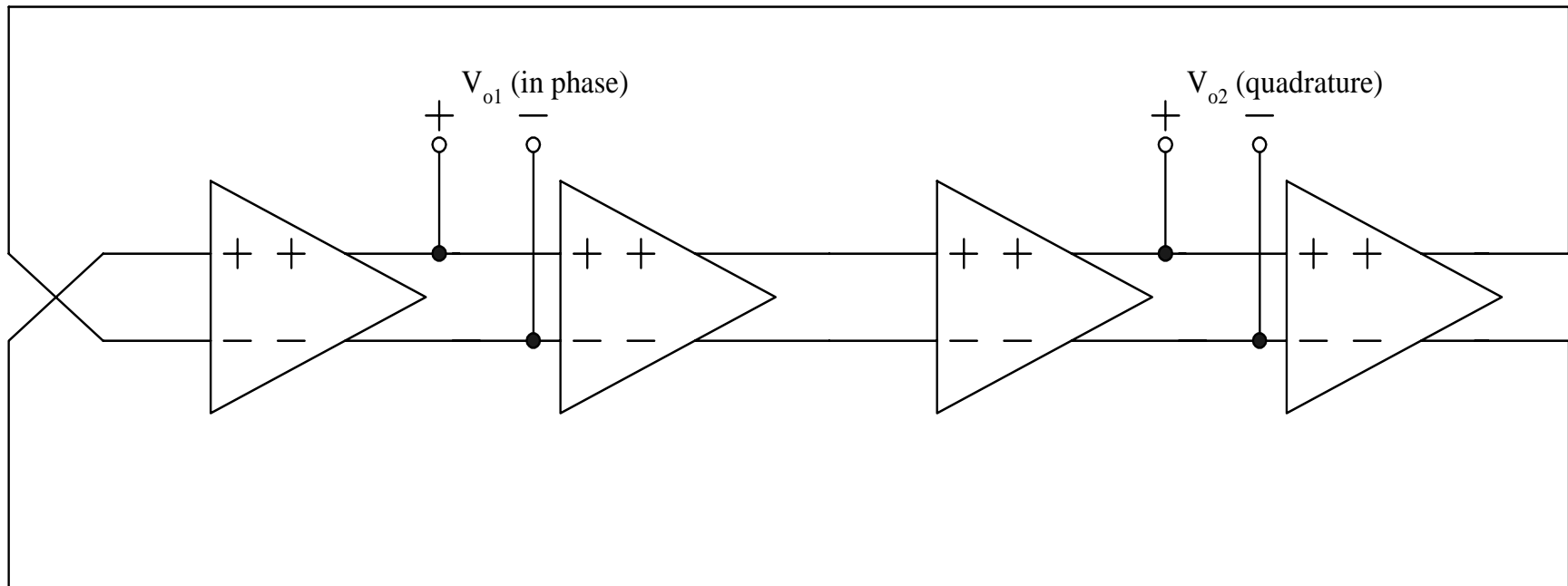


(b)

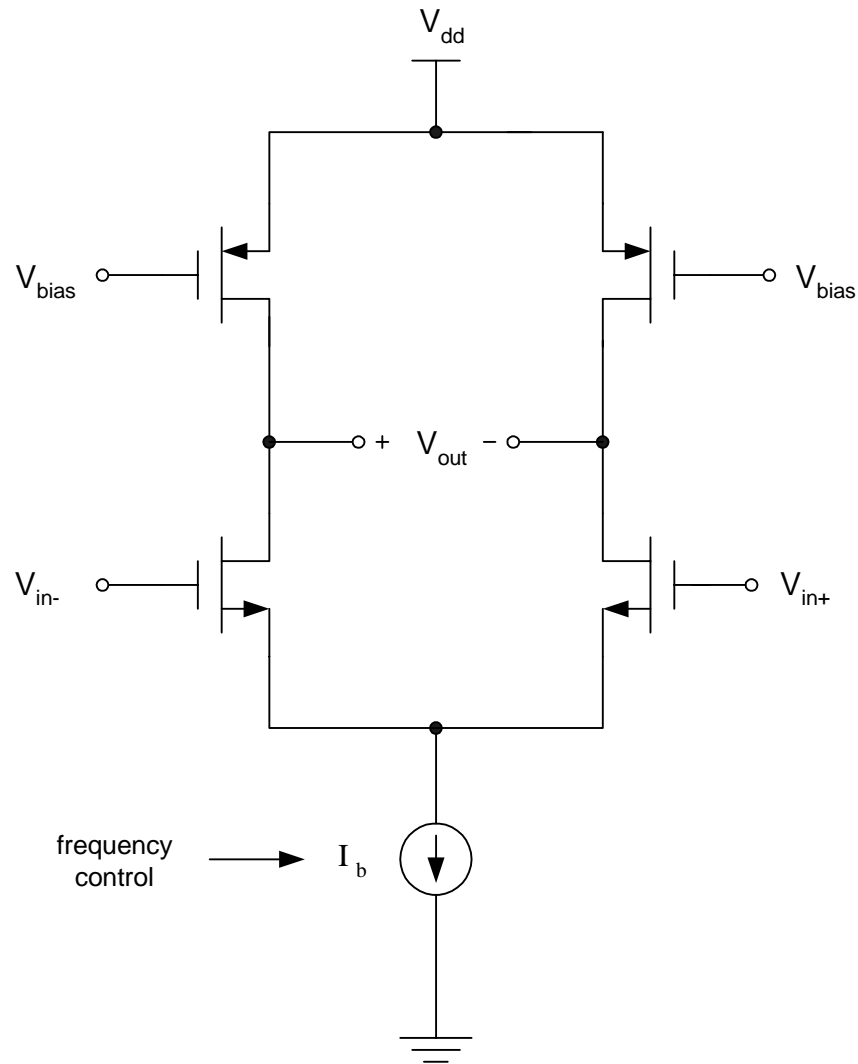
(a) Five-stage single-ended ring oscillator, (b) four-stage differential ring oscillator



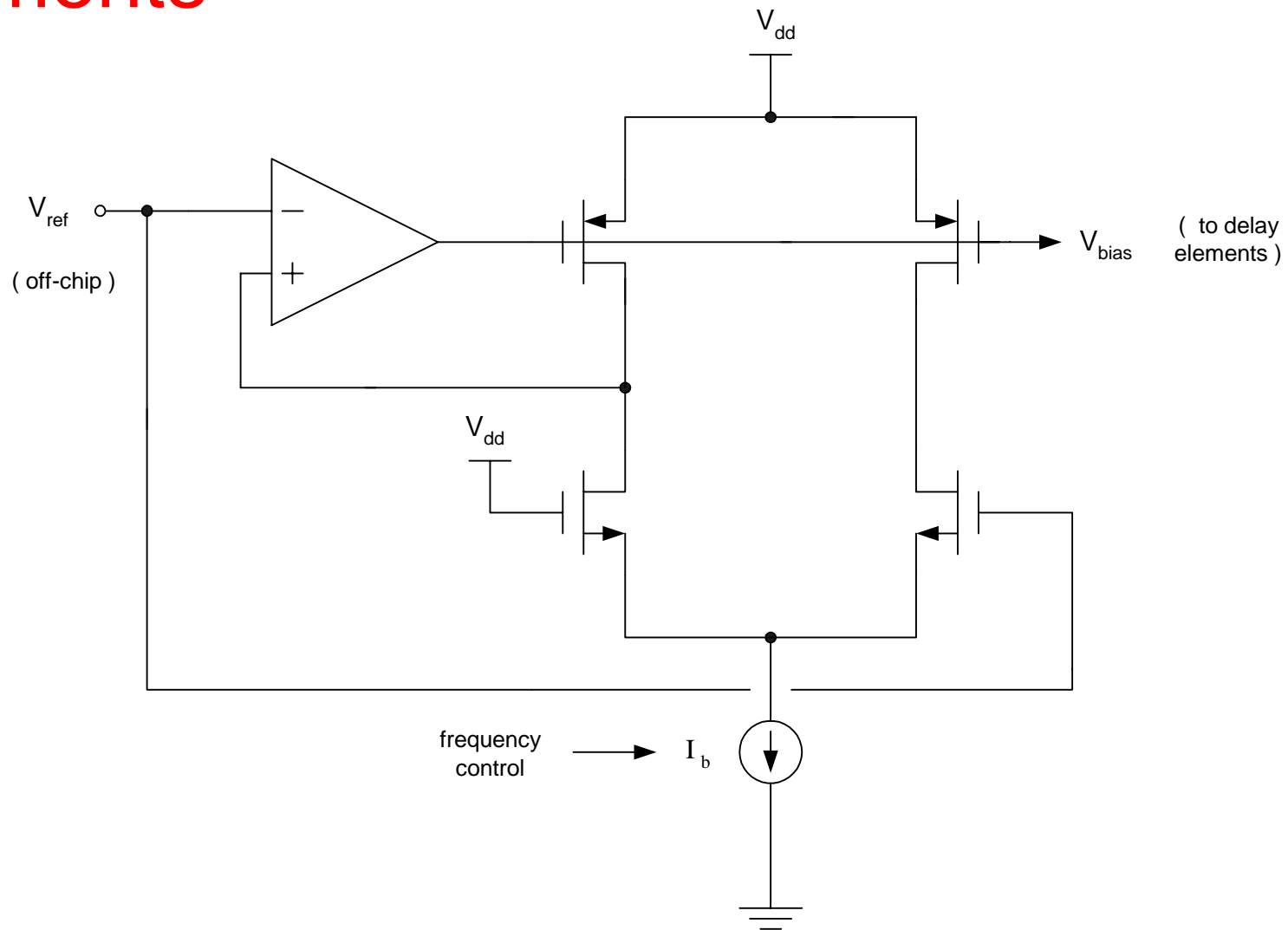
Fully-Differential Ring Oscillator



One potential delay element



Replica Biasing needed for the Delay Elements

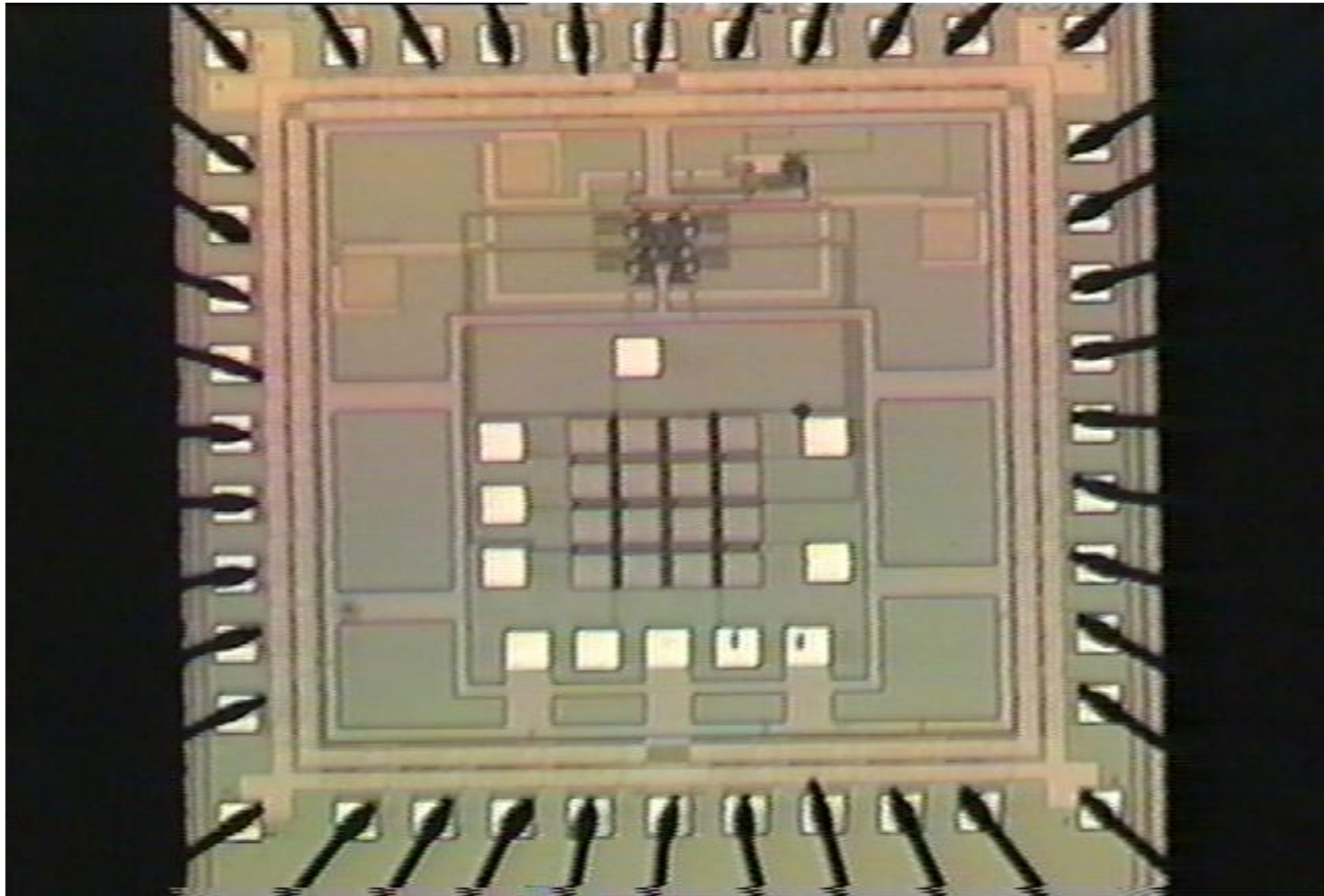


Frequency Control

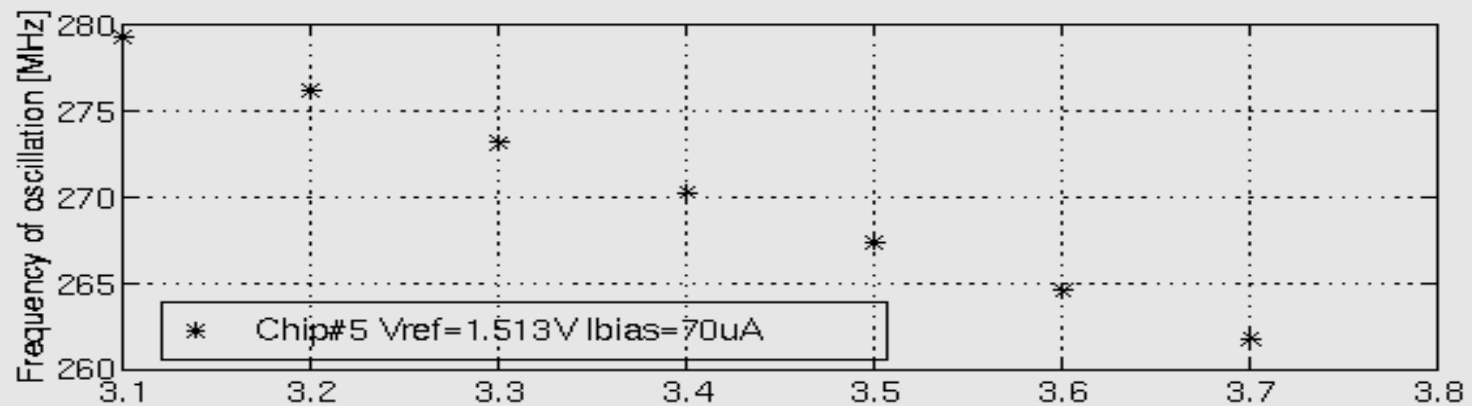
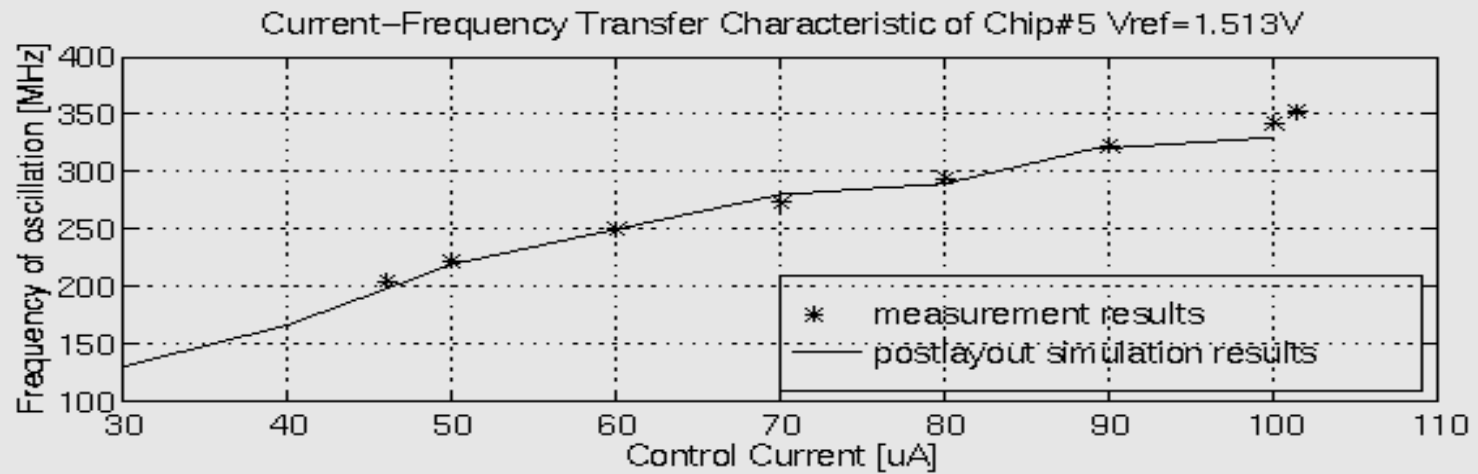
- Frequency of oscillation, (f_{osc}), is controlled through the bias current of a delay element (I_b).
- Maximum peak-to-peak voltage, (V_{pp}), is controlled through the replica biasing.
- Total output capacitance of a delay element, (C_{out}), directly affects the frequency of oscillation.

$$f_{osc} \approx \frac{I_b}{V_{pp} \cdot C_{out}}$$

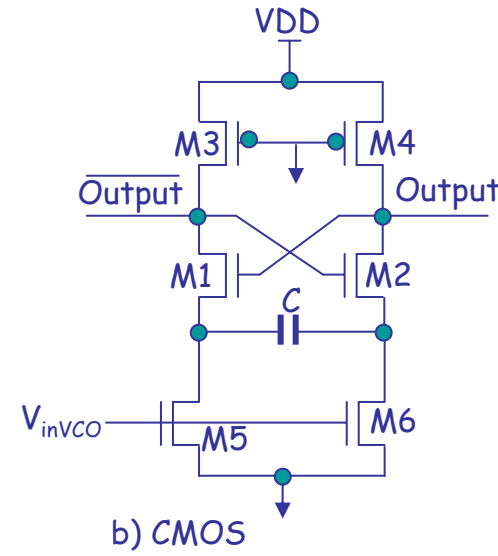
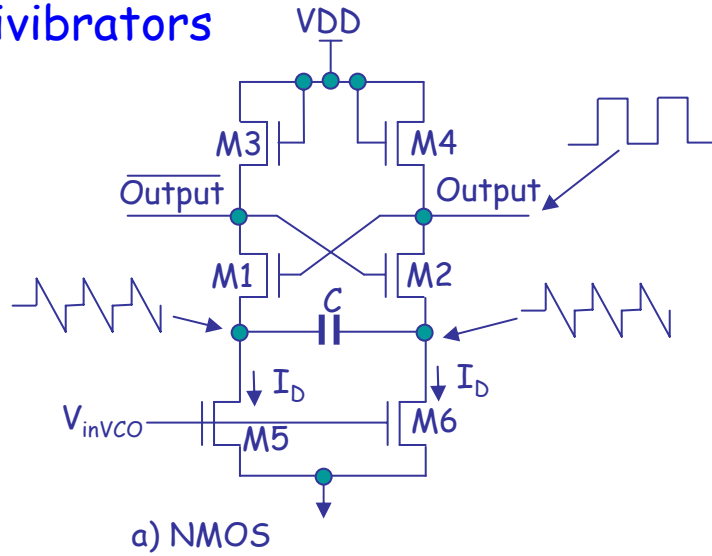
Chip Photomicrograph



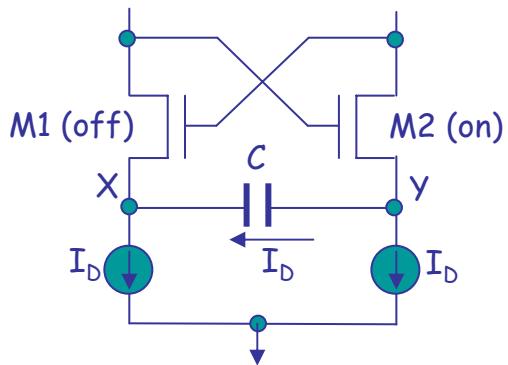
Test Results



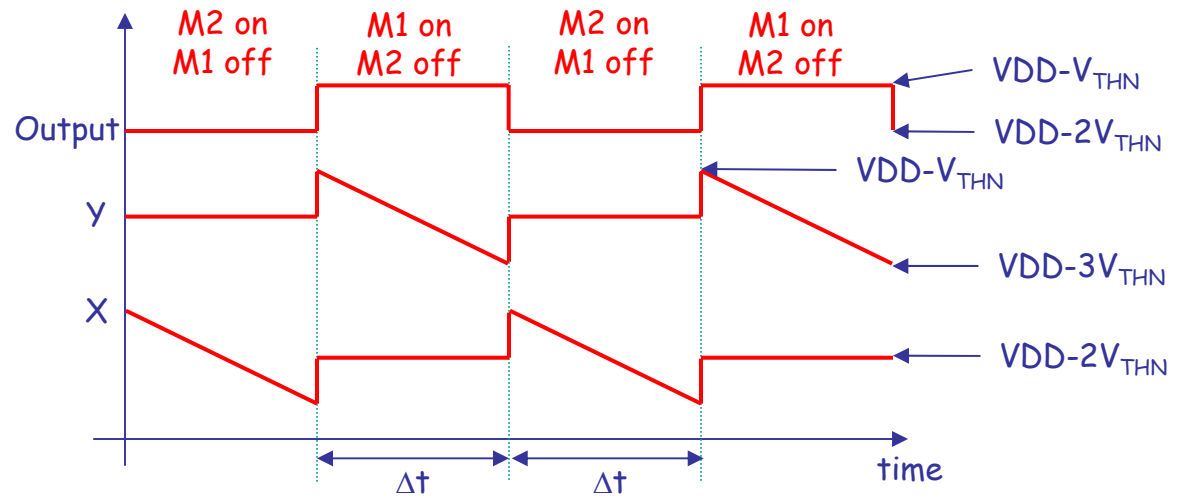
Coupled Multivibrators



Source coupled voltage-controlled oscillators (also known as source coupled multivibrators).



Simplified schematic of source coupled oscillator, M1 is on and M2 is off.



Voltage waveforms for the NMOS source coupled VCO.