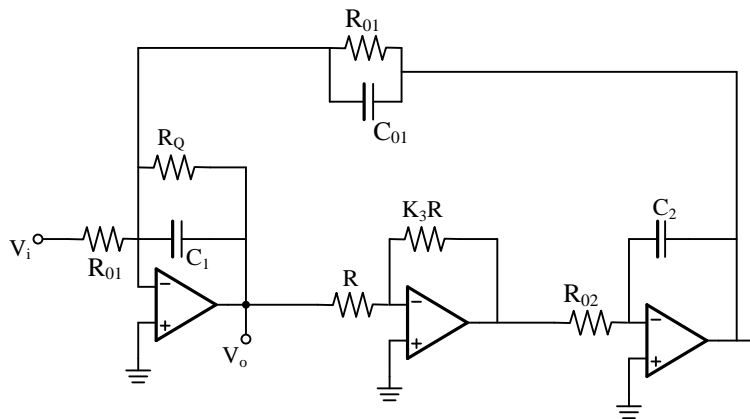


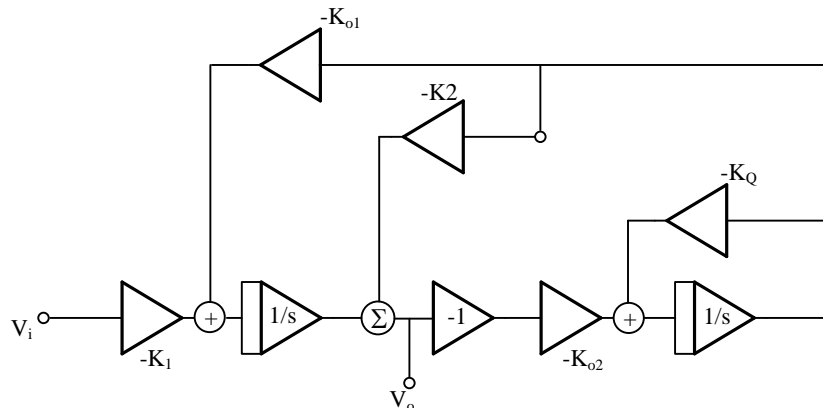
Homework Assignment #5

Note. – Undergraduate students pick only two problems.

Prob. 1. Write the corresponding block diagram and apply Mason's Rule to obtain $H(s) = \frac{V_o(s)}{V_{in}(s)}$



Prob. 2. Write the corresponding transfer function and draw the equivalent active – RC circuit.



Prob. 3. (Prob. 6.51 3rd edition)

Prob. 4. (Prob. 6.40 3rd edition)